



31

STOMACH, INTESTINES, RECTUM



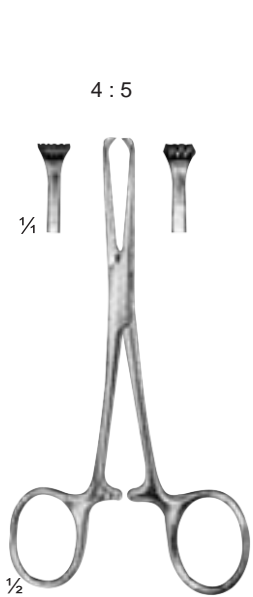
KNOCHENCHIRURGIE
CIRUGÍA ÓSEA
CHIRURGIE OSSEUSE
CHIRURGIA OSSEA



Intestinal and Tissue Grasping Forceps

Darm- und Gewebefasszangen
Pinzas para intestinos y tejidos

Pinces pour saisir intestins et tissus
Pinze per afferrare intestino e tessuti



Allis-Baby
31-002-12
12 cm / 4½"

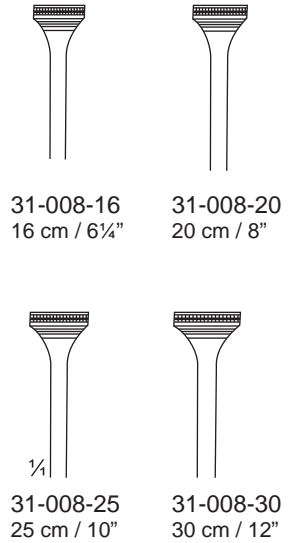


Allis
31-004-15 - 31-006-25



Allis-Atrauma
31-008-16 - 31-008-30

ATRAUMA

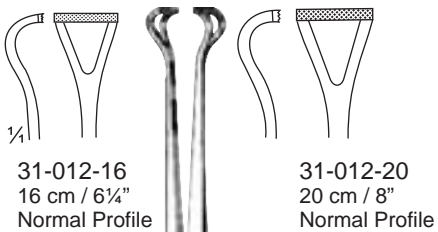


31-008-16
16 cm / 6¼"

31-008-20
20 cm / 8"

31-008-25
25 cm / 10"

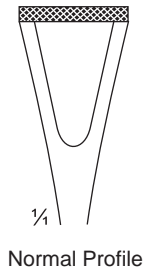
31-008-30
30 cm / 12"



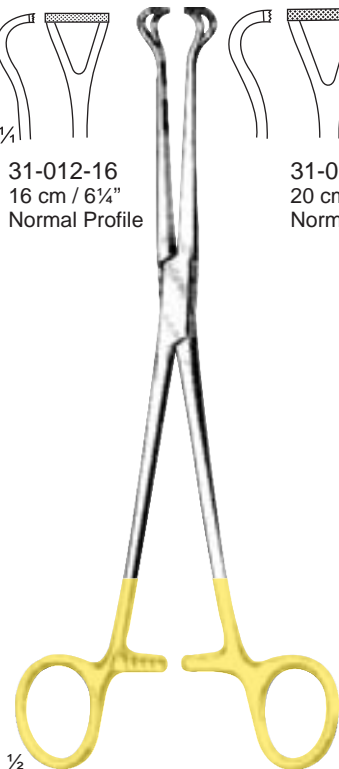
31-012-16
16 cm / 6¼"
Normal Profile

31-012-20
20 cm / 8"
Normal Profile

TC Lined
Mit TC-Einsätzen
Con bocas TC
A mors TC
Con morso TC



Normal Profile



Babcock
31-012-16 - 31-012-20



Duval
31-014-20
20 cm / 8"



Intestinal and Tissue Grasping Forceps

Darm- und Gewebefasszangen
Pinzas para intestinos y tejidos

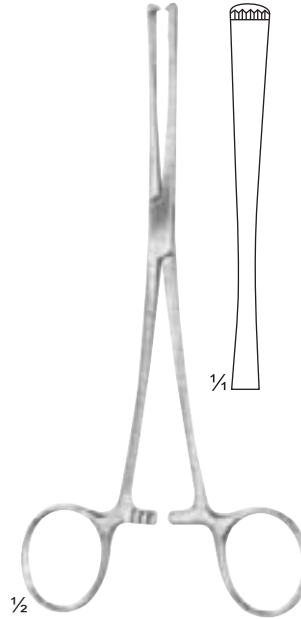
Pinces pour saisir intestins et tissus
Pinze per afferrare intestino e tessuti



Allis-Adair
31-022-15
15.5 cm / 6"



Boys-Allis
31-024-15
15.5 cm / 6"



Lockwood-Allis
31-026-16 = 16 cm / 6 1/4"
31-026-20 = 20 cm / 8"



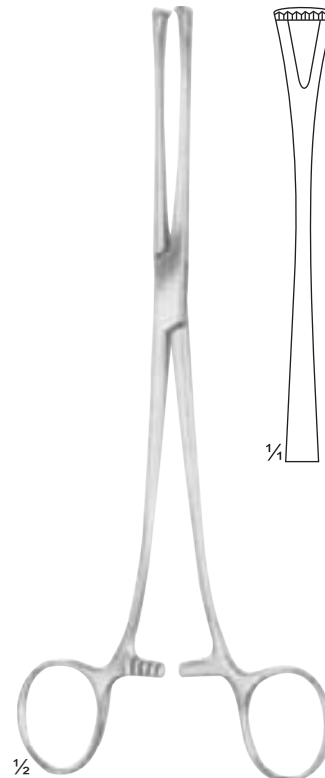
Judd-Allis
31-028-15 = 15 cm / 6"
31-028-19 = 19 cm / 7 1/2"



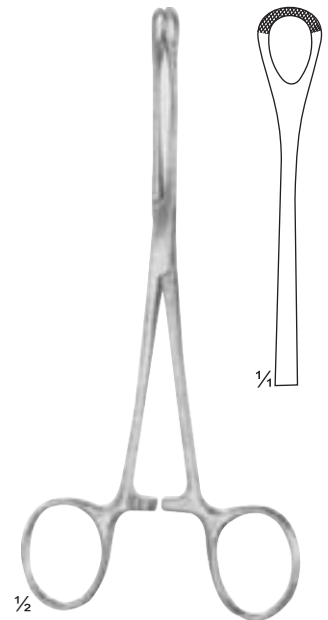
Thoms-Allis
31-030-20
20 cm / 8"



Allis
31-032-20
20 cm / 8"



Lockwood
31-034-20
20 cm / 8"



Williams
31-036-16
16 cm / 6 1/4"



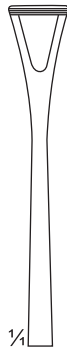
Intestinal and Tissue Grasping Forceps

Darm- und Gewebefasszangen
Pinzas para intestinos y tejidos

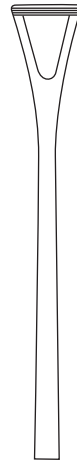
Pinces pour saisir intestins et tissus
Pinze per afferrare intestino e tessuti



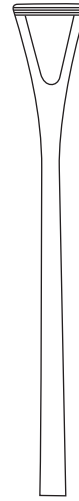
Babcock
31-042-16 - 31-042-24



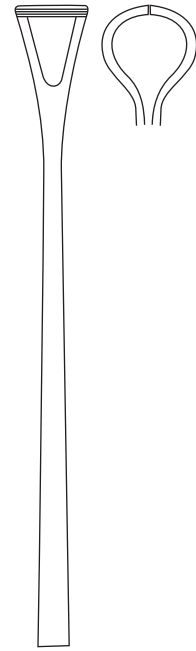
31-042-16
16 cm / 6¼"



31-042-18
18 cm / 7"

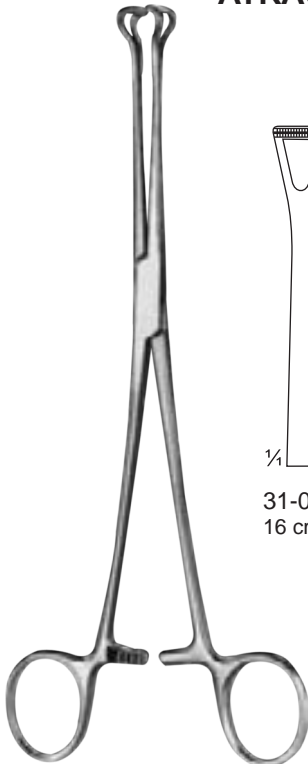


31-042-20
20 cm / 8"

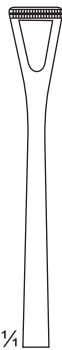


31-042-24
24 cm / 9½"

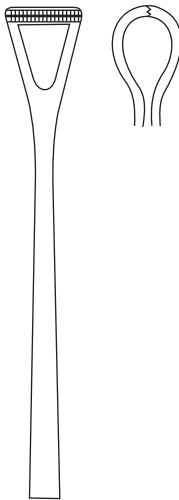
ATRAUMA



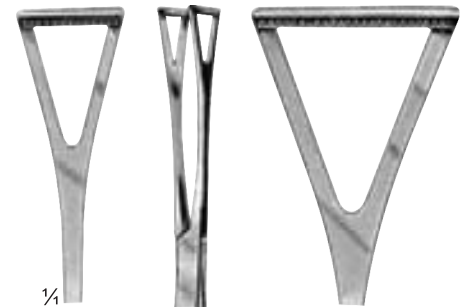
Babcock-Atrauma
31-044-16 - 31-044-20



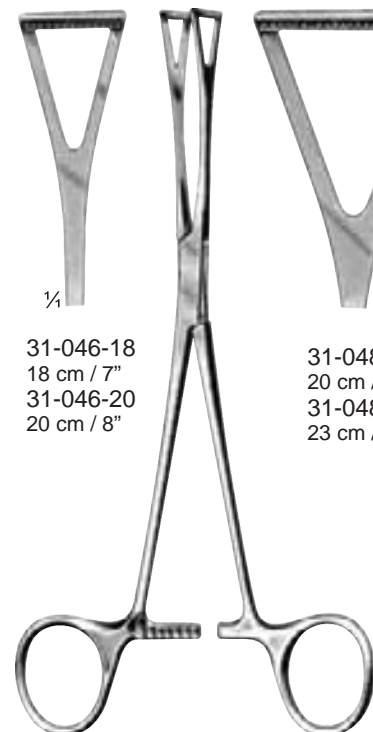
31-044-16
16 cm / 6¼"



31-044-20
20 cm / 8"



31-046-18
18 cm / 7"
31-046-20
20 cm / 8"



Duval
31-046-18 - 31-048-23

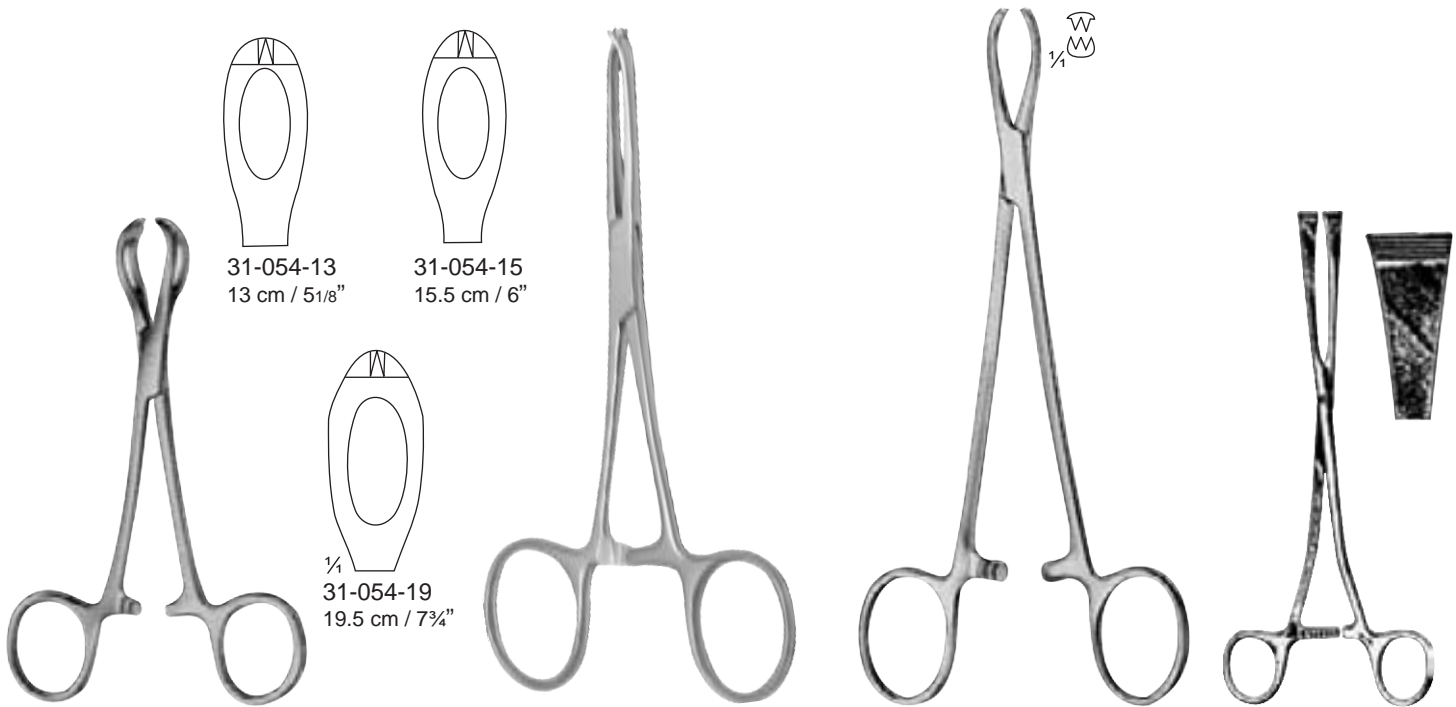
31-048-20
20 cm / 8"
31-048-23
23 cm / 9"



Intestinal and Tissue Grasping Forceps

Darm- und Gewebefasszangen
Pinzas para intestinos y tejidos

Pinces pour saisir intestins et tissus
Pinze per afferrare intestino e tessuti



31-054-13
13 cm / 5 1/8"

31-054-15
15.5 cm / 6"

1/4
31-054-19
19.5 cm / 7 3/4"

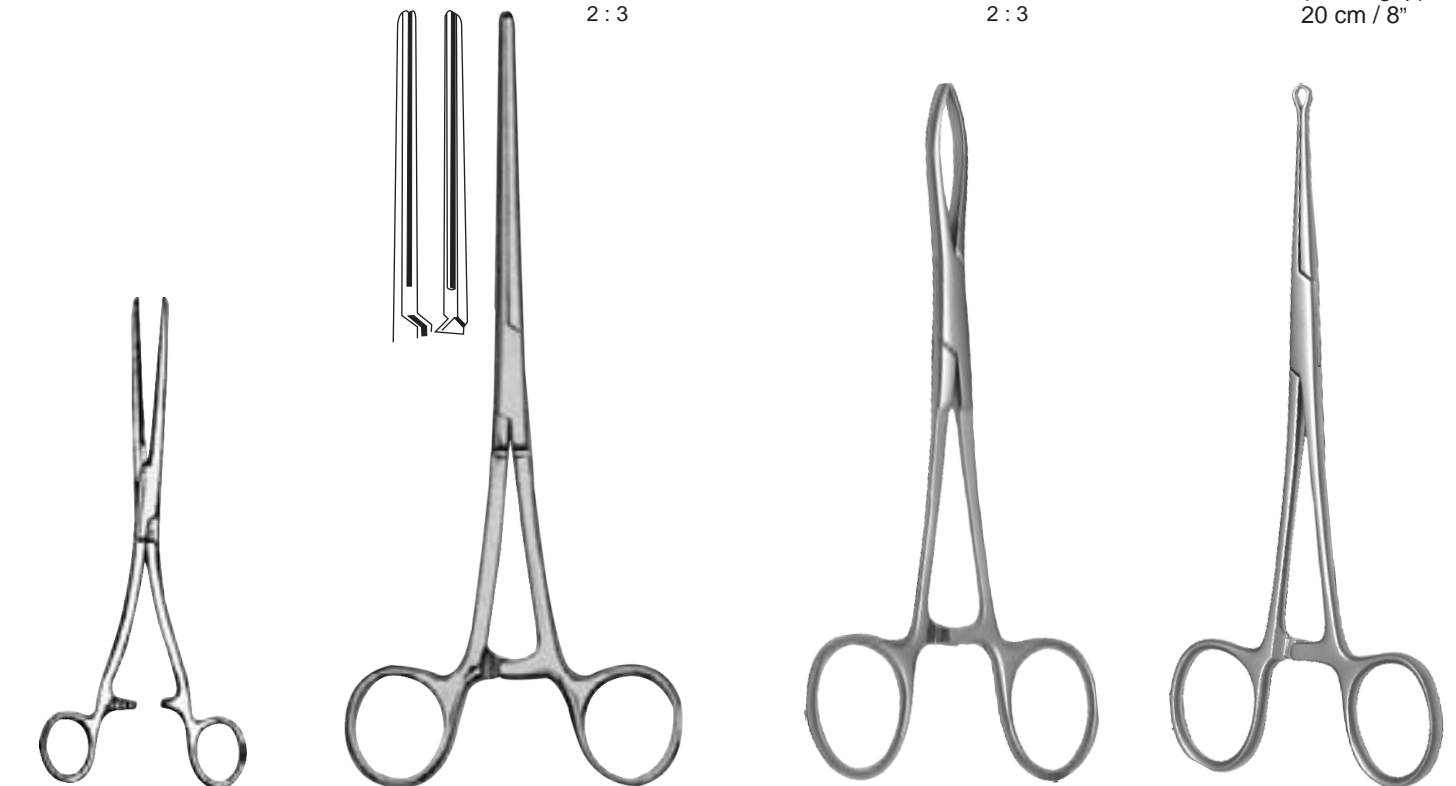
1/4
W
M

Lane
31-054-13 - 31-054-19

Poirier
31-058-13 = 13 cm / 5"
31-058-18 = 18 cm / 7"
2 : 3

Littlewood
31-061-18
18.5 cm / 7 1/4"
2 : 3

Lane
31-064-20
(Roller grip)
20 cm / 8"



Schoemaker-Ogilvie
31-066-18 = 18 cm / 7"
31-066-20 = 20 cm / 8"

Lang-Stevenson
31-068-20
8 cm / 3 1/4" Jaw
20 cm / 8"

Rutherford Morison
31-071-15
15 cm / 6"
4 : 5

Vasectomy
31-073-15
15 cm / 6"

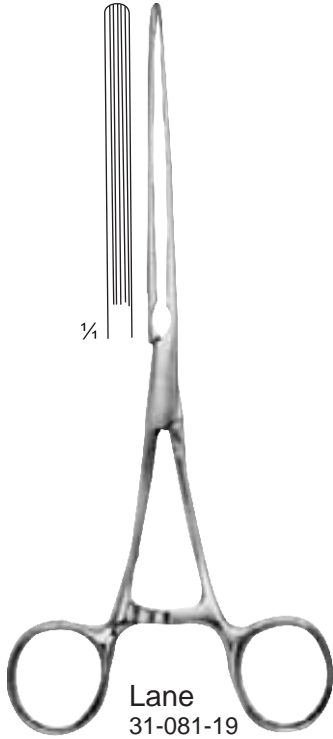


Intestinal Clamps

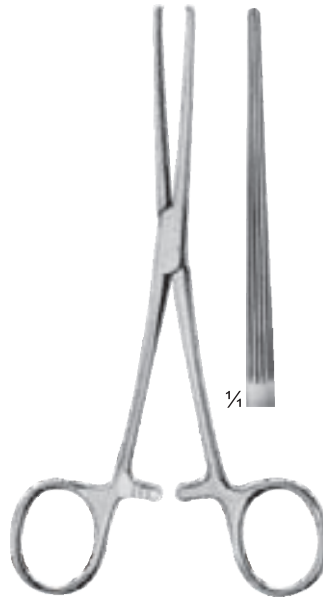
Darmklemmen
Pinzas intestinales
Pincas intestinales
Pinze intestinali



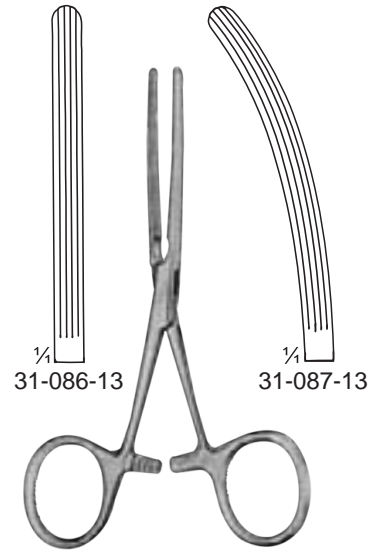
Denis Browne
31-079-19
19 cm / 7½"



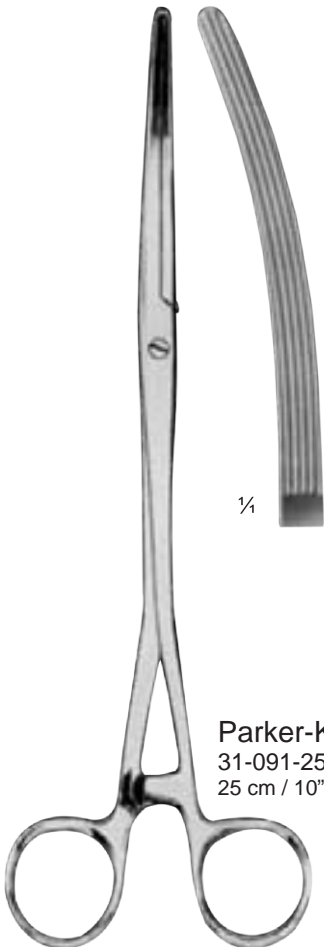
Lane
31-081-19
7.5cm/3" Jaw
19 cm / 7½"



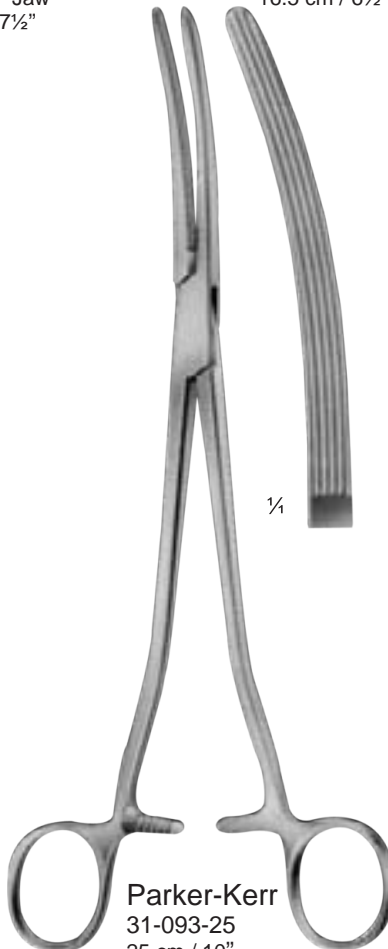
Seton Pringle
31-083-16
16.5 cm / 6½"



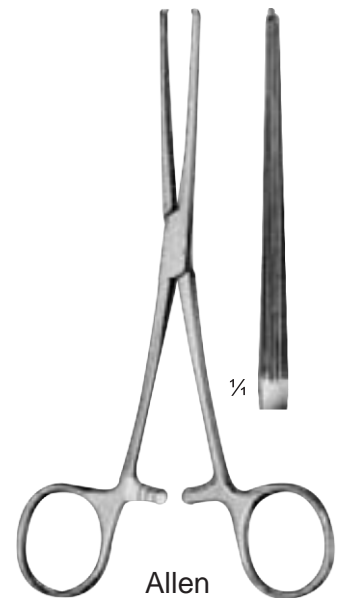
Baby-Kocher
31-086-13 - 31-087-13
13 cm / 5"



Parker-Kerr
31-091-25
25 cm / 10"



Parker-Kerr
31-093-25
25 cm / 10"

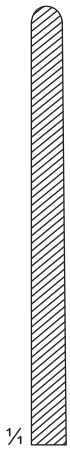


Allen
31-098-15
15.5 cm / 6"

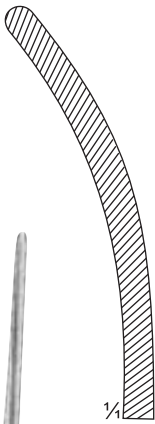


Intestinal Clamps

Darmklemmen Pincas intestinales
 Pinzas intestinales Pinze intestinali



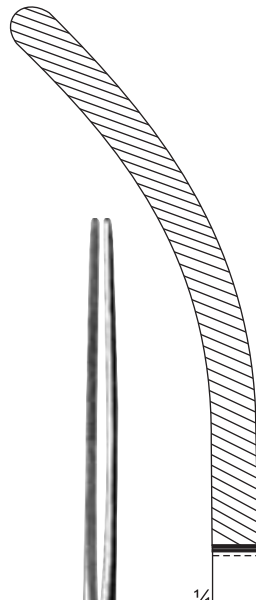
31-102-18



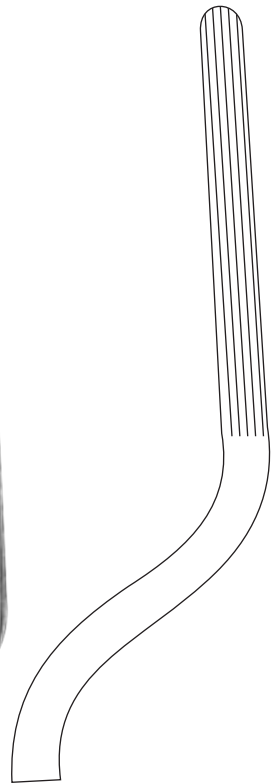
31-103-18



31-106-21
 21 cm / 8¼"
 31-106-23
 23 cm / 9"

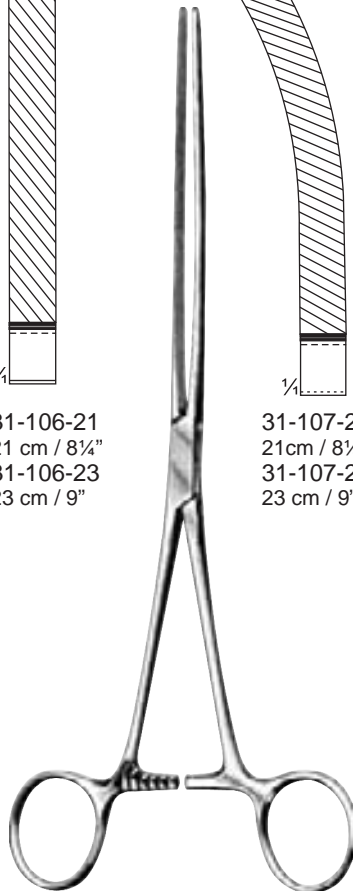


31-107-21
 21cm / 8¼"
 31-107-23
 23 cm / 9"

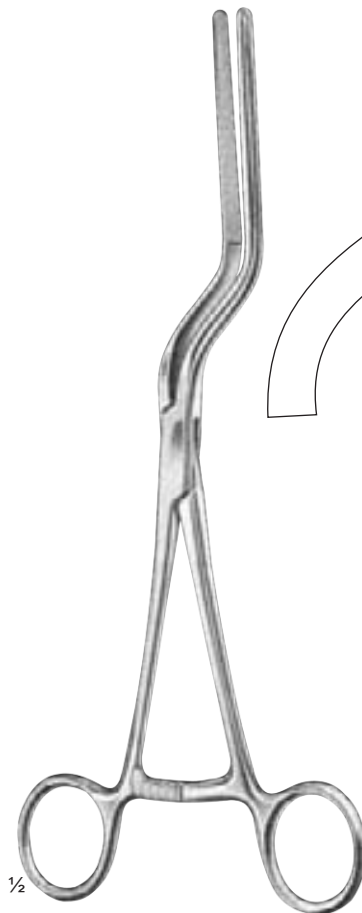


½

Baby-Doyen
 31-102-18 - 31-103-18
 18 cm / 7"



Doyen
 31-106-21 - 31-107-23



½

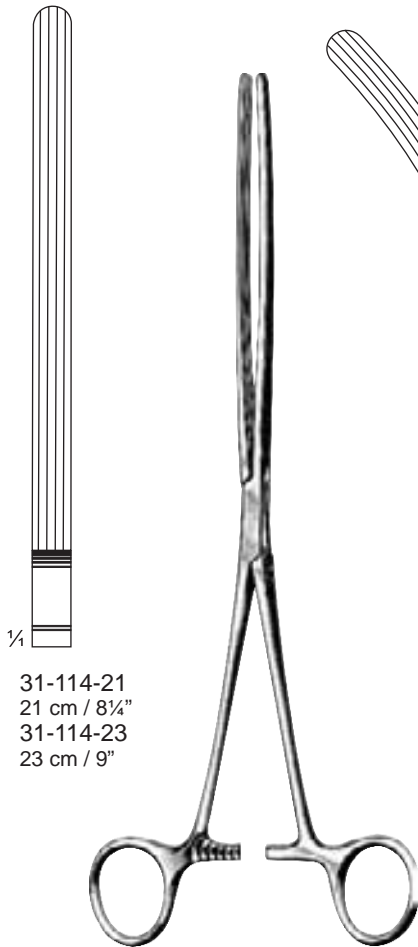
Brunner
 31-109-24
 24 cm / 9½"



Intestinal Clamps

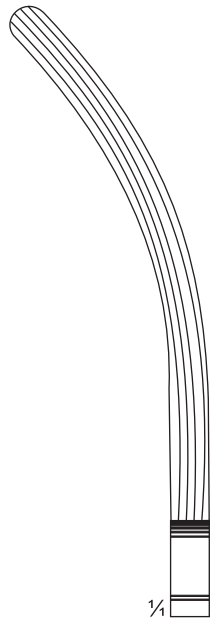
Darmklemmen
Pinzas intestinales

Pinces intestinales
Pinze intestinali



31-114-21
21 cm / 8¼"
31-114-23
23 cm / 9"

Mayo-Robson
31-114-21 - 31-115-23



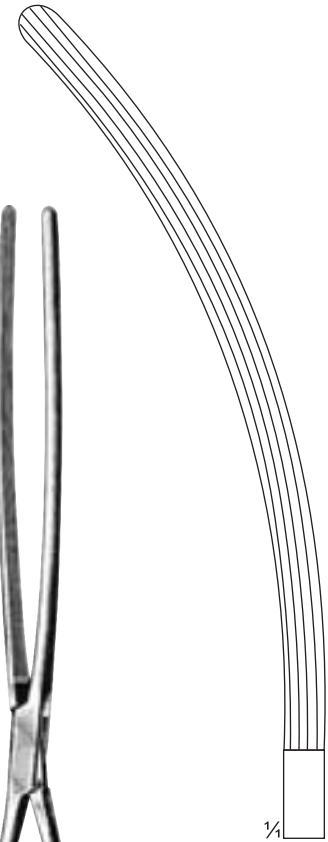
31-115-21
21 cm / 8¼"
31-115-23
23 cm / 9"



31-118-25



Mayo-Robson
31-118-25 - 31-119-25
25 cm / 10"



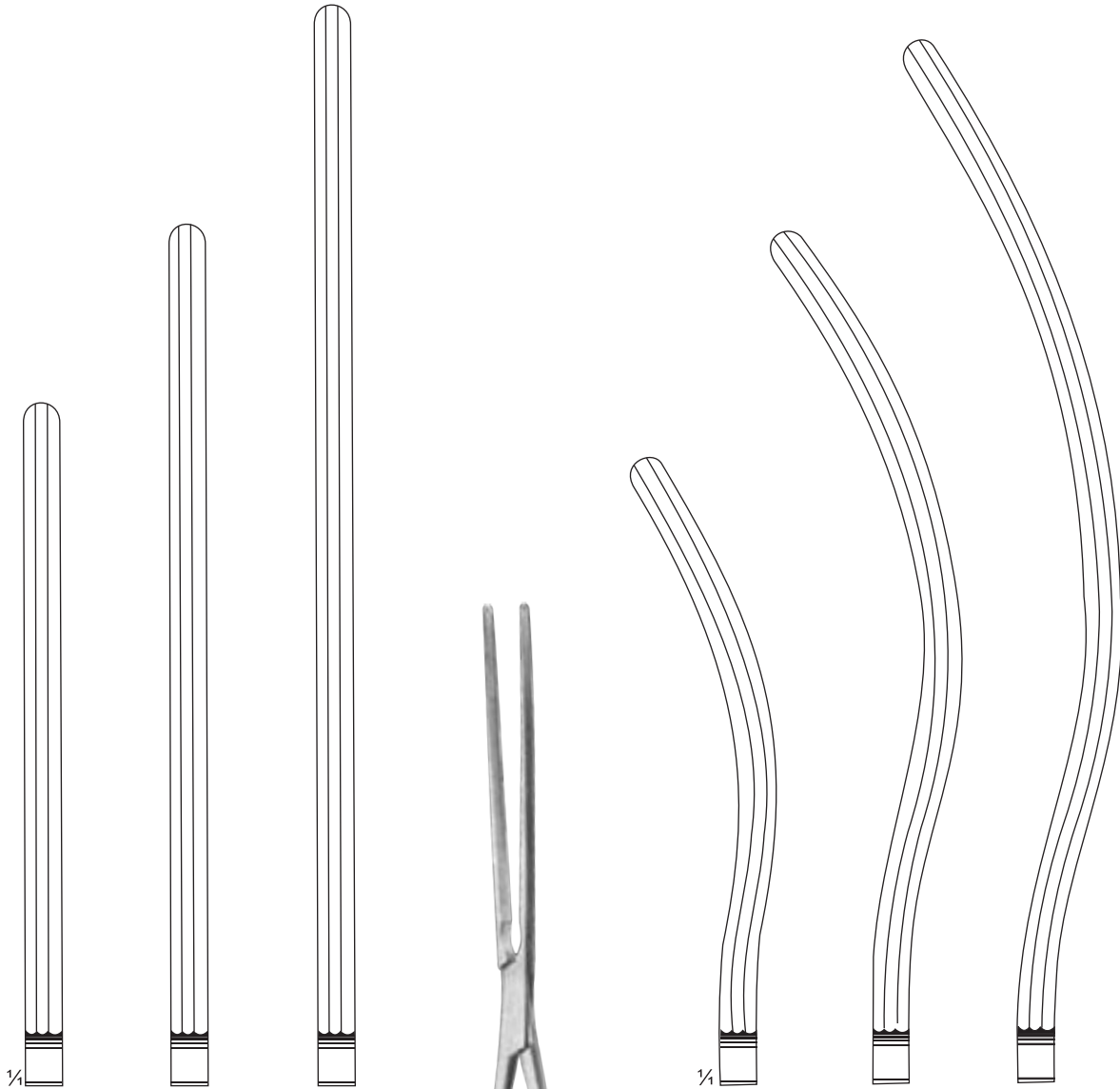
31-119-25



Intestinal Clamps

Darmklemmen
Pinzas intestinales

Pinces intestinales
Pinze intestinali



31-124-22
22 cm / 8³/₄"

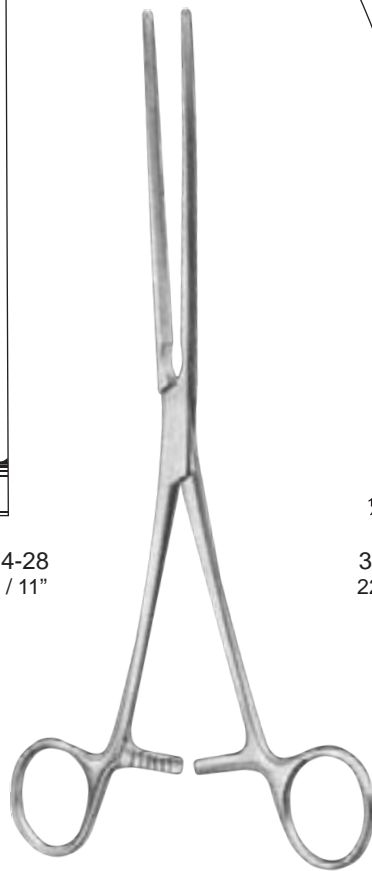
31-124-25
25 cm / 10"

31-124-28
28 cm / 11"

31-125-22
22 cm / 8³/₄"

31-125-25
25 cm / 10"

31-125-28
28 cm / 11"

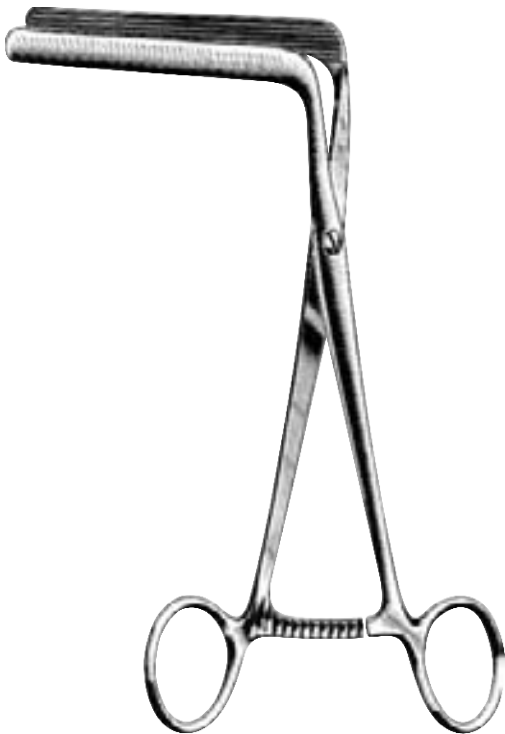
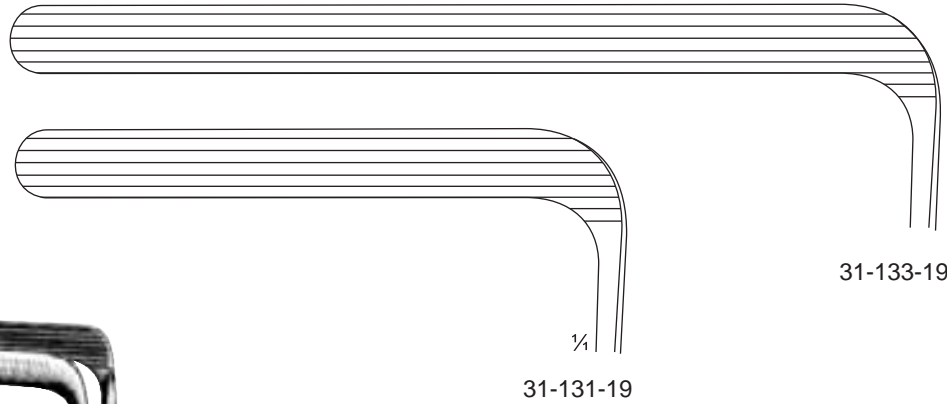


Kocher
31-124-22 - 31-125-28



Intestinal Clamps

Darmklemmen Pincas intestinales
Pinzas intestinales Pinze intestinali



Mikulicz
31-131-19 - 31-133-19
19 cm / 7½"



Intestinal and pylorus Clamps

Darmquetschklemmen
Pinzas intestinales para píloro

Ecraseurs pour intestin
Schiacciatori intestinali



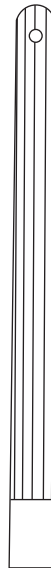
Payr-Baby
31-139-15 - 31-141-15
15 cm / 6"



31-139-15
without pin
31-141-15
with pin

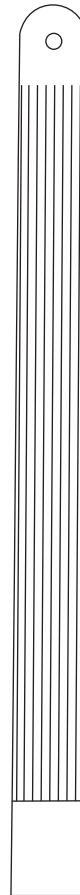


Payr
31-143-21 - 31-153-35



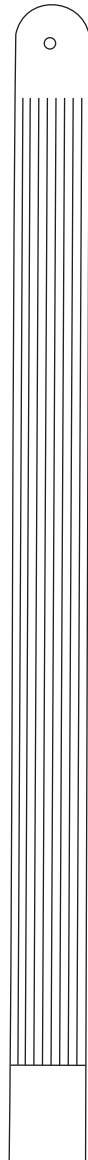
31-143-21
21 cm / 8¼"
without pin

31-145-21
21 cm / 8¼"
with pin



31-147-29
29 cm / 11½"
without pin

31-149-29
29 cm / 11½"
with pin



31-151-35
35 cm / 13¾"
without pin

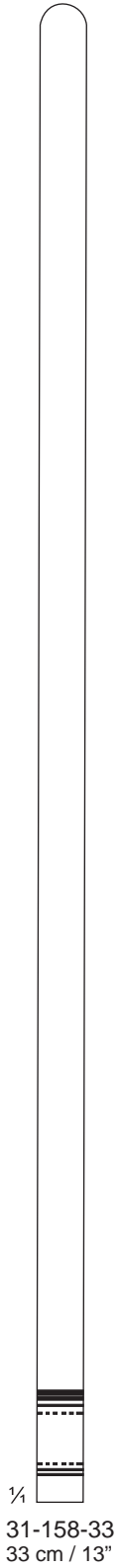
31-153-35
35 cm / 13¾"
with pin



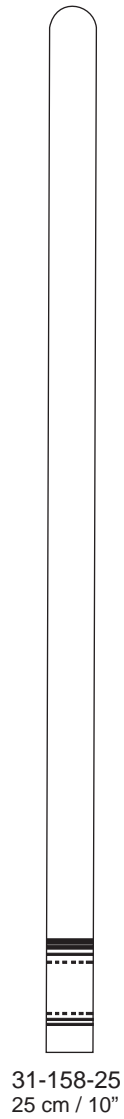
Stomach Clamp Forceps

Magenklemmen
Pinzas-clamps estomacales

Pinces-clamps stomacales
Pinze stomacali



31-158-33
33 cm / 13"

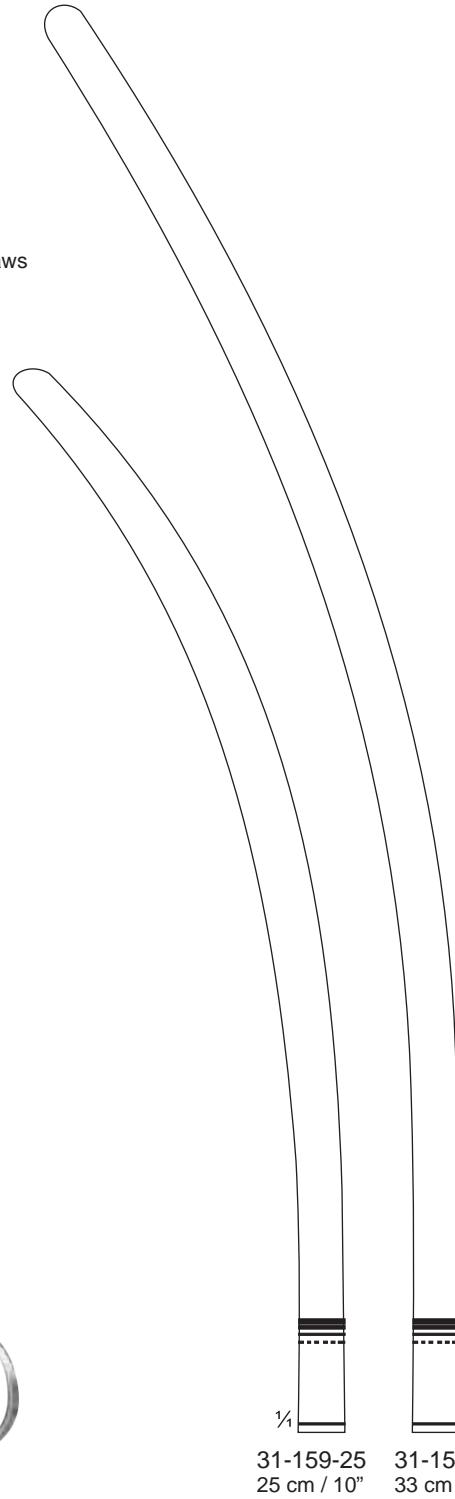


31-158-25
25 cm / 10"



1/2
Scudder
31-158-25 - 31-159-33

Smooth jaws



1/4
31-159-25
25 cm / 10"

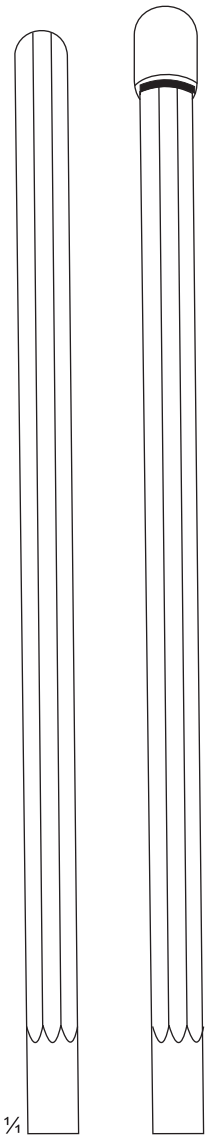
31-159-33
33 cm / 13"



Stomach and Intestinal Clamp Forceps

Magen- und Darmklemmen
Pinzas-clamps estomacales e intestinales

Pinces-clamps stomacales et pour l'intestin
Pinze stomacali e intestinali

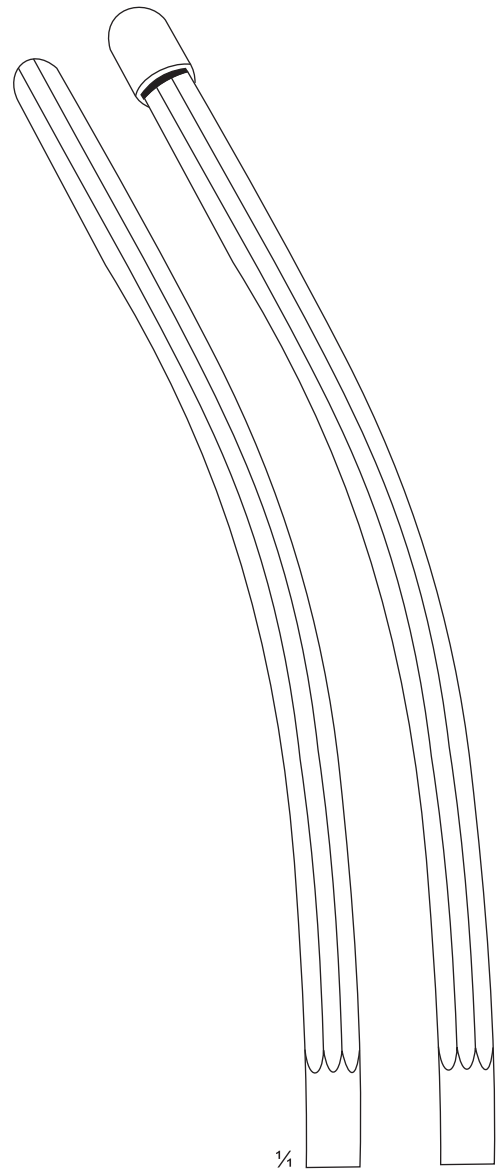


31-164-30



1/2

Nussbaum
31-164-30 - 31-165-30
30 cm / 12"



1/4

31-165-30



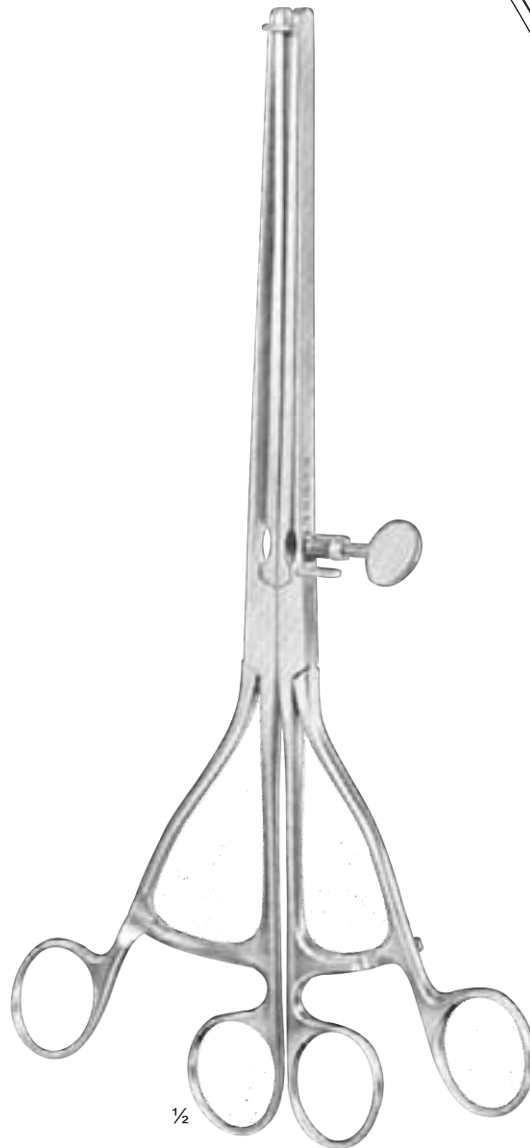
Stomach and Intestinal Clamp Forceps

Magen- und Darmklemmen
Pinzas-clamps estomacales e intestinales

Pinces-clamps stomacales et pour l'intestin
Pinze stomacali e intestinali

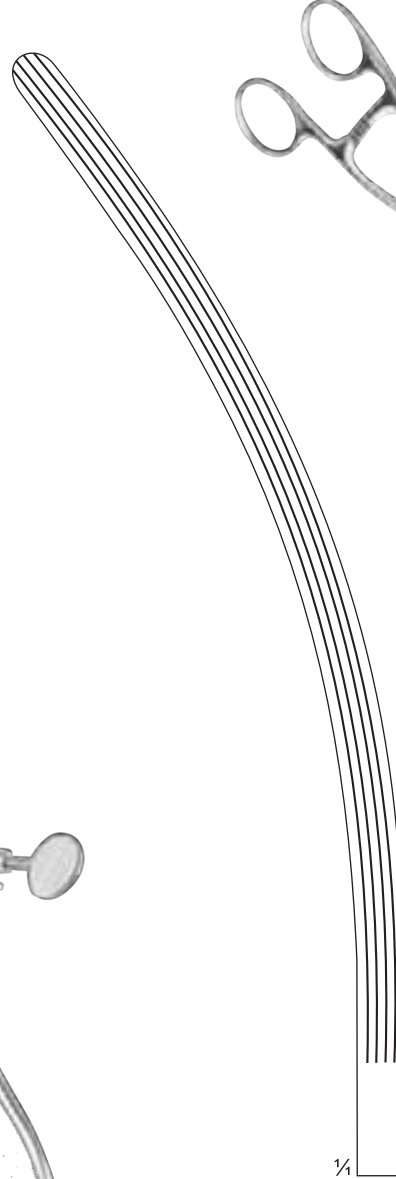


1/4
31-170-30

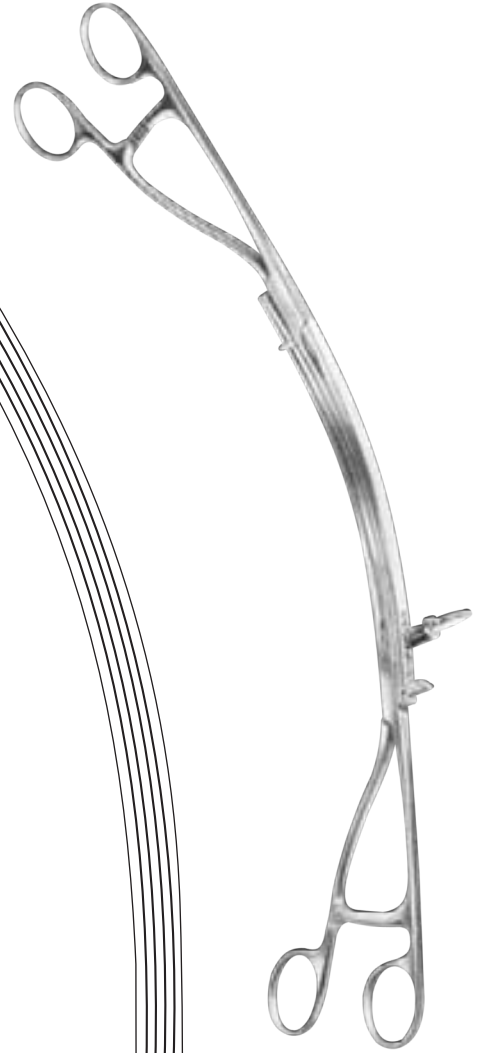


1/2

Lane
31-170-30 - 31-171-30
30 cm / 12"



1/4
31-171-30

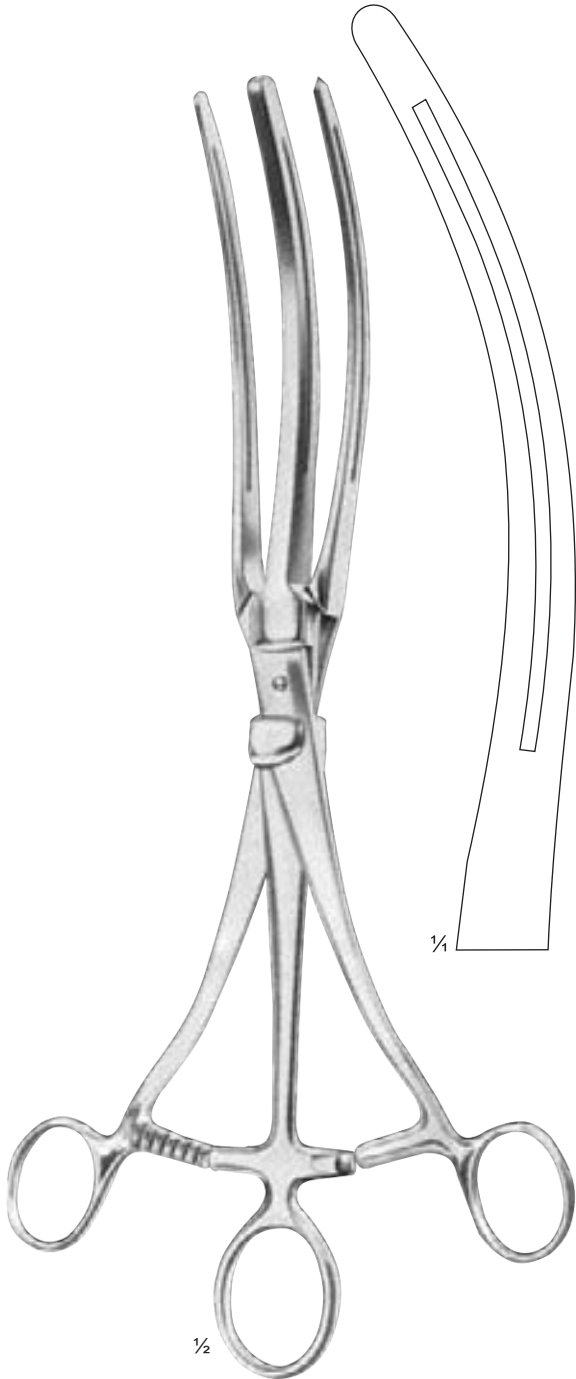




Stomach and Intestinal Clamp Forceps

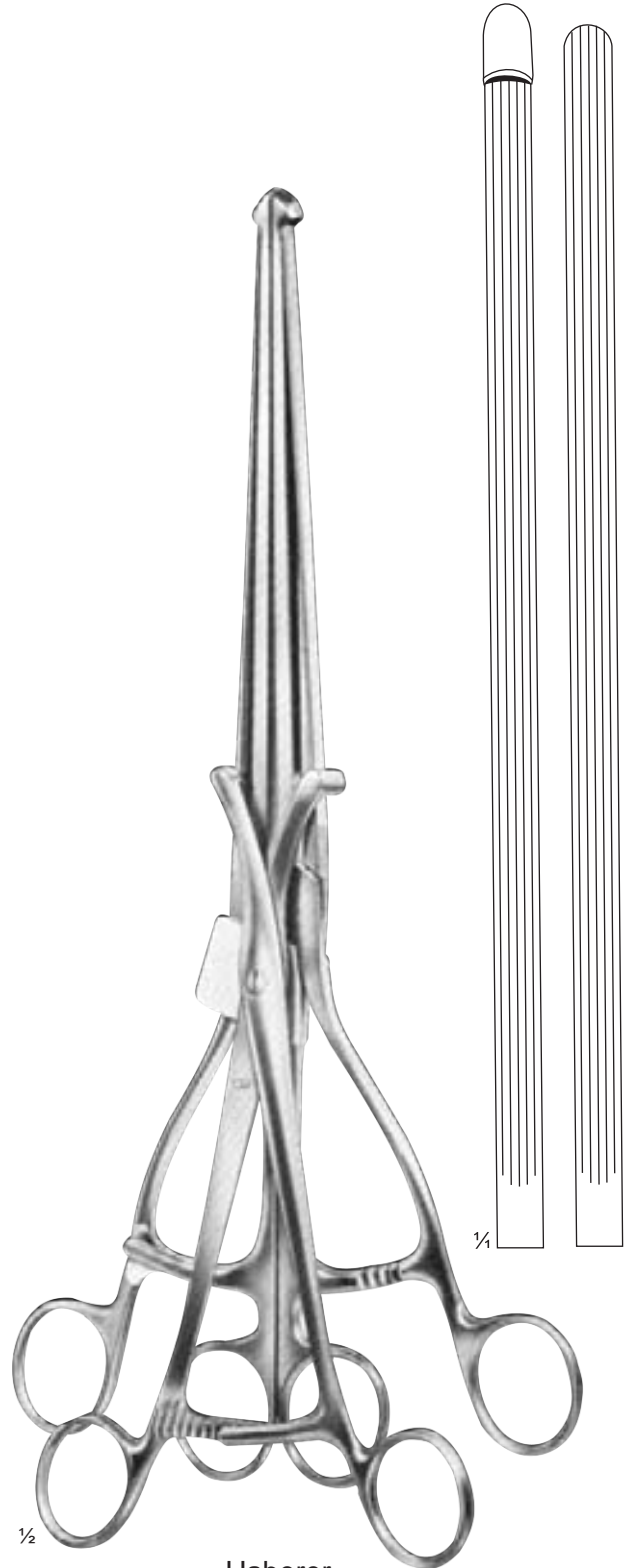
Magen- und Darmklemmen
Pinzas-clamps estomacales e intestinales

Pinces-clamps stomacales et pour l'intestin
Pinze stomacali e intestinali



1/2

Roosevelt
31-175-34
34 cm / 13 1/2"



1/2

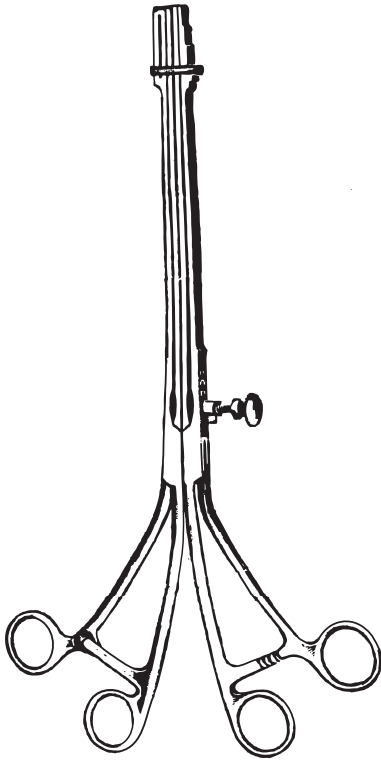
Haberer
31-178-36
36 cm / 14"



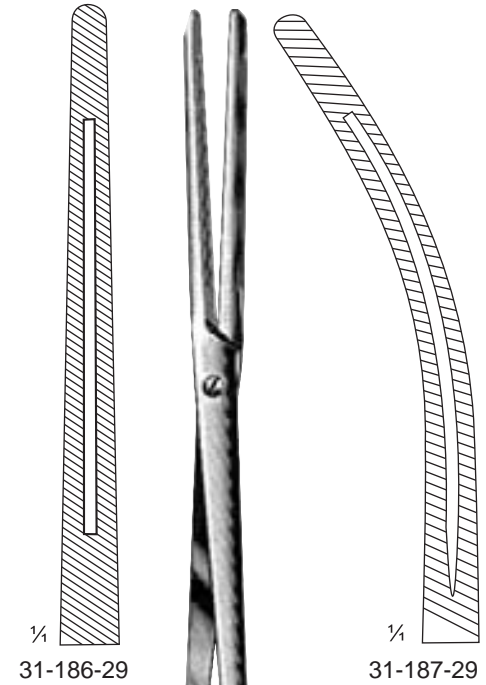
Stomach and Intestinal Clamp Forceps

Magen- und Darmklemmen
Pinzas-clamps estomacales e intestinales

Pinces-clamps stomacales et pour l'intestin
Pinze stomacali e intestinali



Tanner
31-183-30
30 cm / 12"



Moynihan
28 cm / 11"

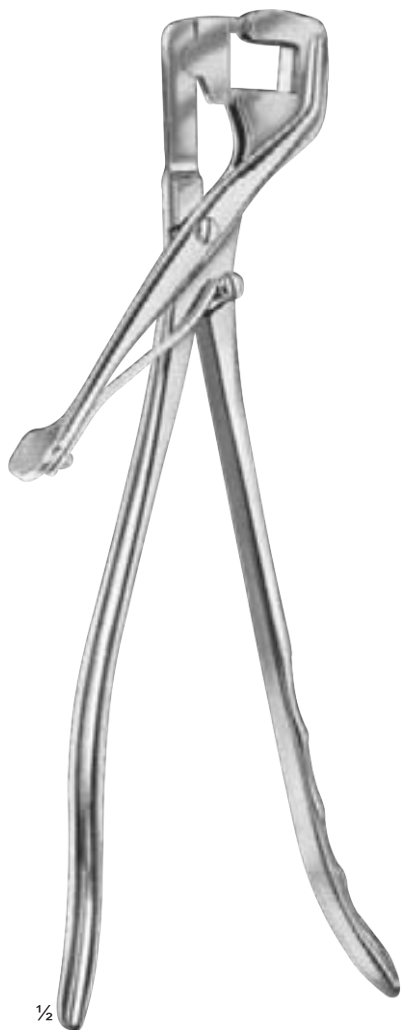
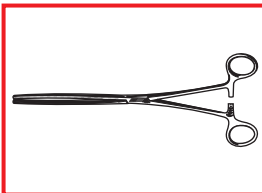


Johnson
(Billroth) Set
31-189-23
23 cm / 9"

Intestinal Anastomosis Clamps

Darm, Anastomosenklemmen
Clamps para anastomosis intestinales

Pinces-clamps pour anastomose intestinale
Pinze per anastomosi intestinali



De Martel-Wolfson
31-193-26
26 cm / 10 1/4"



De Martel-Wolfson
31-196-05 - 31-196-10

	jaw length		
	cm	in.	
Set of 3 clamps	5	2	31-196-05
Set of 3 clamps	7	2 3/4	31-196-07
Set of 3 clamps	10	4	31-196-10



De Martel-Wolfson
31-198-23
23 cm / 9"



31-200-08
8.5 cm / 3 1/2"



Stone-Watt
31-202-00



31-204-07
7.5 cm / 3"

31-204-10
10 cm / 4"

Stone-Watt
jaw length



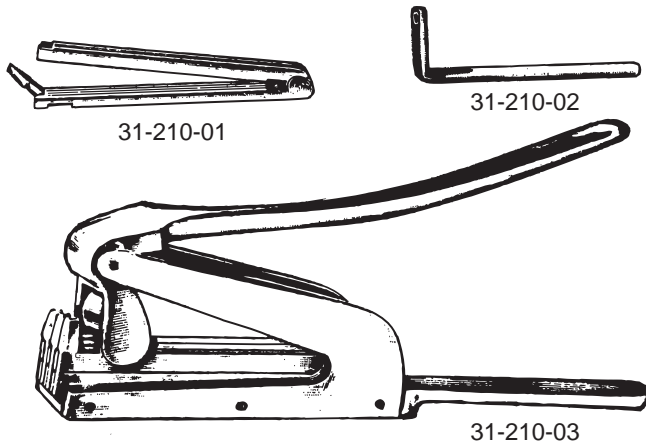
Stone
31-206-15
15.5 cm / 6"



Intestinal Anastomosis Clamps

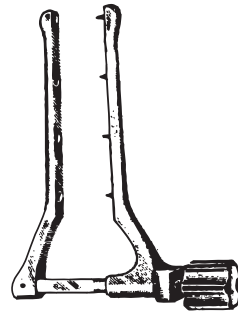
Darm, Anastomosenklemmen
Clamps para anastomosis intestinales

Pinces-clamps pour anastomose intestinale
Pinze per anastomosi intestinali

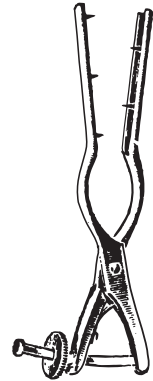


Zachary Cope
(set of three clamps)
31-210-00 = 31-210-01
= 31-210-02
= 31-210-03

Entrotomes



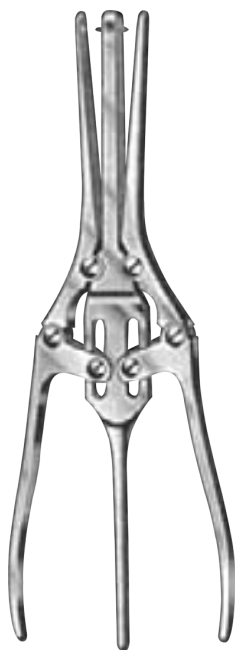
Lloyd-Davies
31-213-09
9 cm / 3½"



Mikulicz
31-216-15
15 cm / 6"



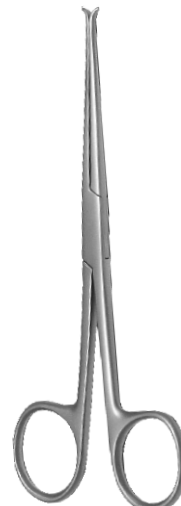
Orr
31-219-20
20 cm / 8"
30° Angled
on Flat



Rankin
31-222-23
23 cm / 9"



Kleinschmidt
31-225-13
13 cm / 5 1/8"



Benson/Denis-Browne
31-228-14
14 cm / 5½"



Shunt/Benson
31-231-16
16 cm / 6¼"



Intestinal Clamps

Darmklemmen
Pinzas intestinales
Pincas intestinales
Pinze intestinali

ATRAUMA



1/2

Doyen- Atrauma
31-236-13 - 31-236-23



1/4
31-236-13
13 cm / 5"



31-236-16
17 cm / 6 3/4"



31-236-18
18 cm / 7"



31-236-21
21 cm / 8 1/2"

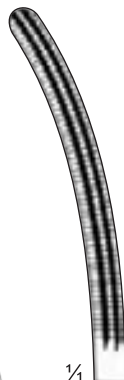


31-236-23
23 cm / 9"

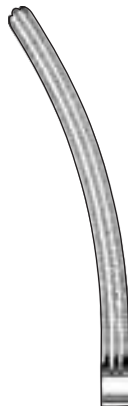


1/2

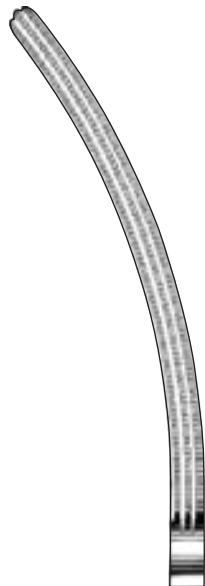
Doyen- Atrauma
31-239-13 - 31-239-23



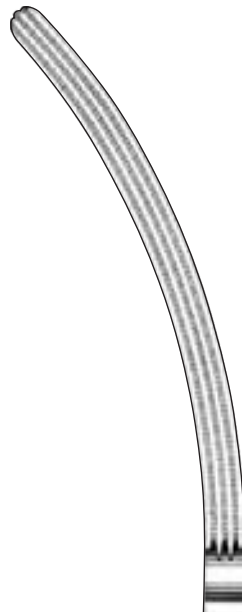
1/4
31-239-13
13 cm / 5"



31-239-16
17 cm / 6 3/4"



31-239-18
18 cm / 7"



31-239-21
21 cm / 8 1/2"



31-239-23
23 cm / 9"

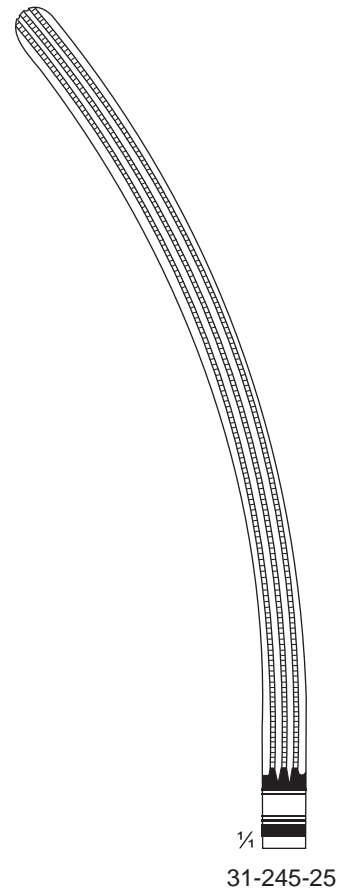
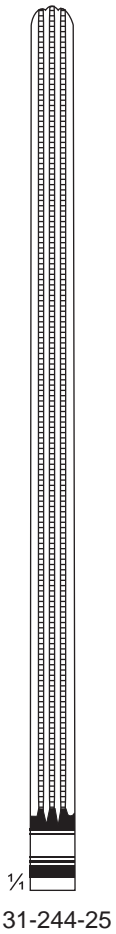


Intestinal Clamps

Darmklemmen
Pinzas intestinales

Pinces intestinales
Pinze intestinali

ATRAUMA



Mayo-Robson-Atrauma
31-244-25 - 31-245-25
25 cm / 10"

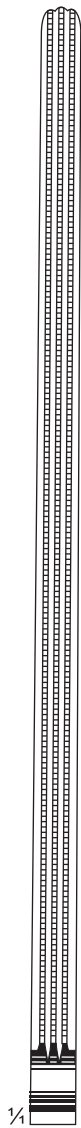


Intestinal Clamps

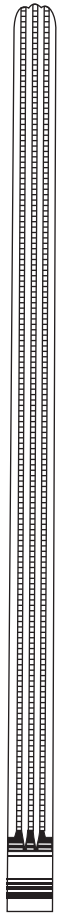
Darmklemmen
Pinzas intestinales

Pinces intestinales
Pinze intestinali

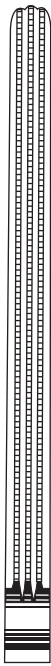
ATRAUMA



31-250-28
28 cm / 11"



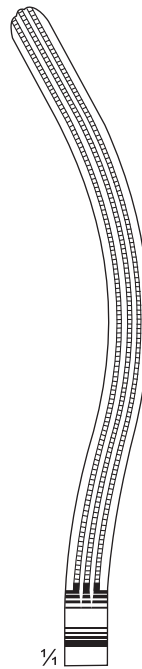
31-250-25
25 cm / 10"



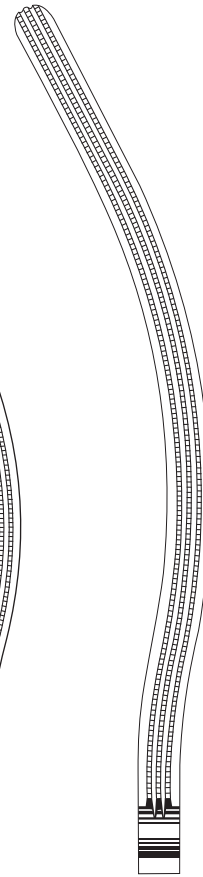
31-250-22
22 cm / 8 3/4"



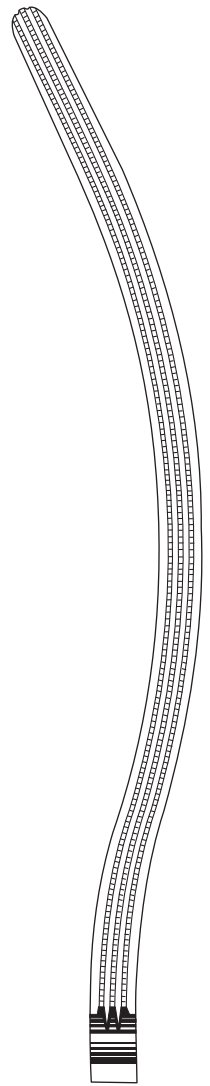
1/2
Kocher-Atrauma
31-250-22 - 31-251-28



31-251-22
22 cm / 8 3/4"



31-251-25
25 cm / 10"



31-251-28
28 cm / 11"

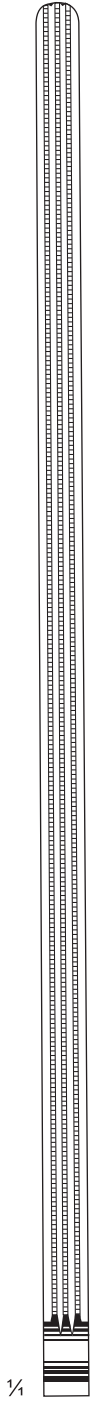


Intestinal Clamps, Sigmoid Anastomosis Forceps

Darmklemmen, Rektum-Anastomosenklemmen
 Pinzas intestinales, Pinzas para anastomosis rectales

Pinces intestinales, Pinces pour anastomoses rectales
 Pinze intestinali, Pinze per anastomosi rettali

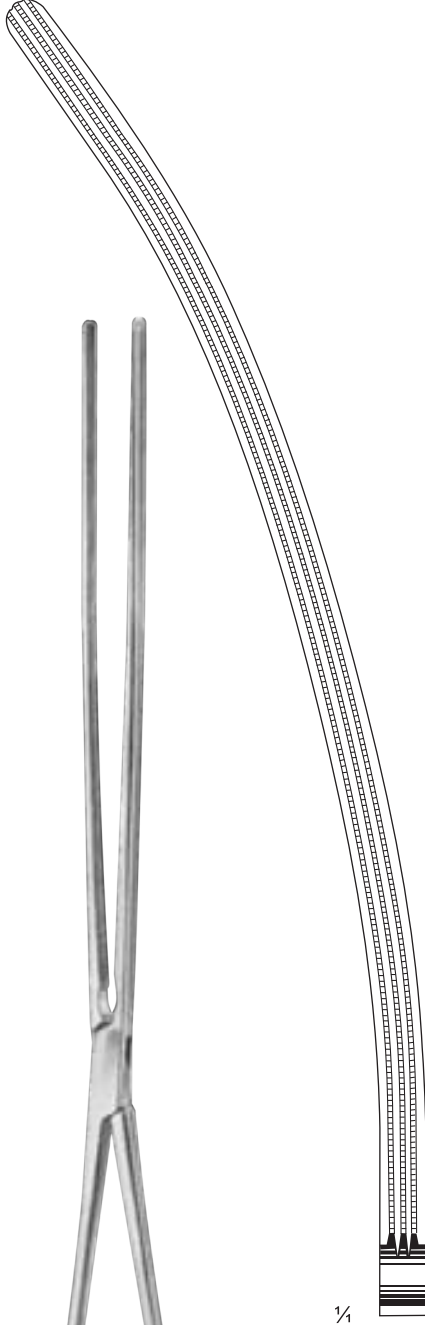
ATRAUMA



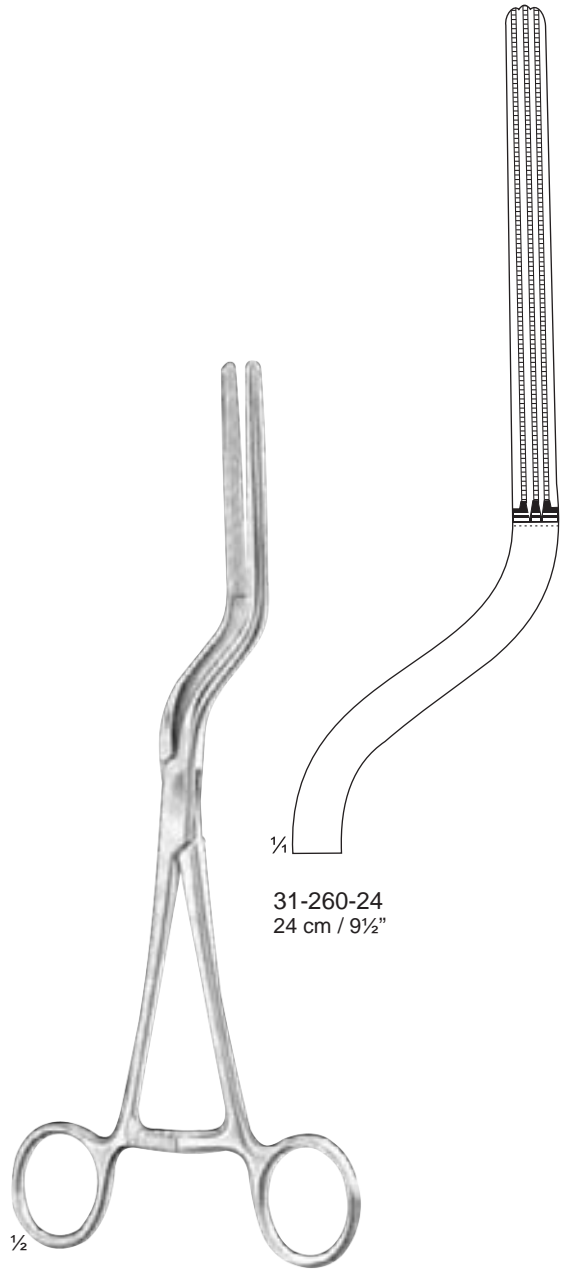
31-256-33
 33 cm / 13"



Scudder-Atrauma
 31-256-33 - 31-257-33



31-257-33
 33 cm / 13"



31-260-24
 24 cm / 9½"

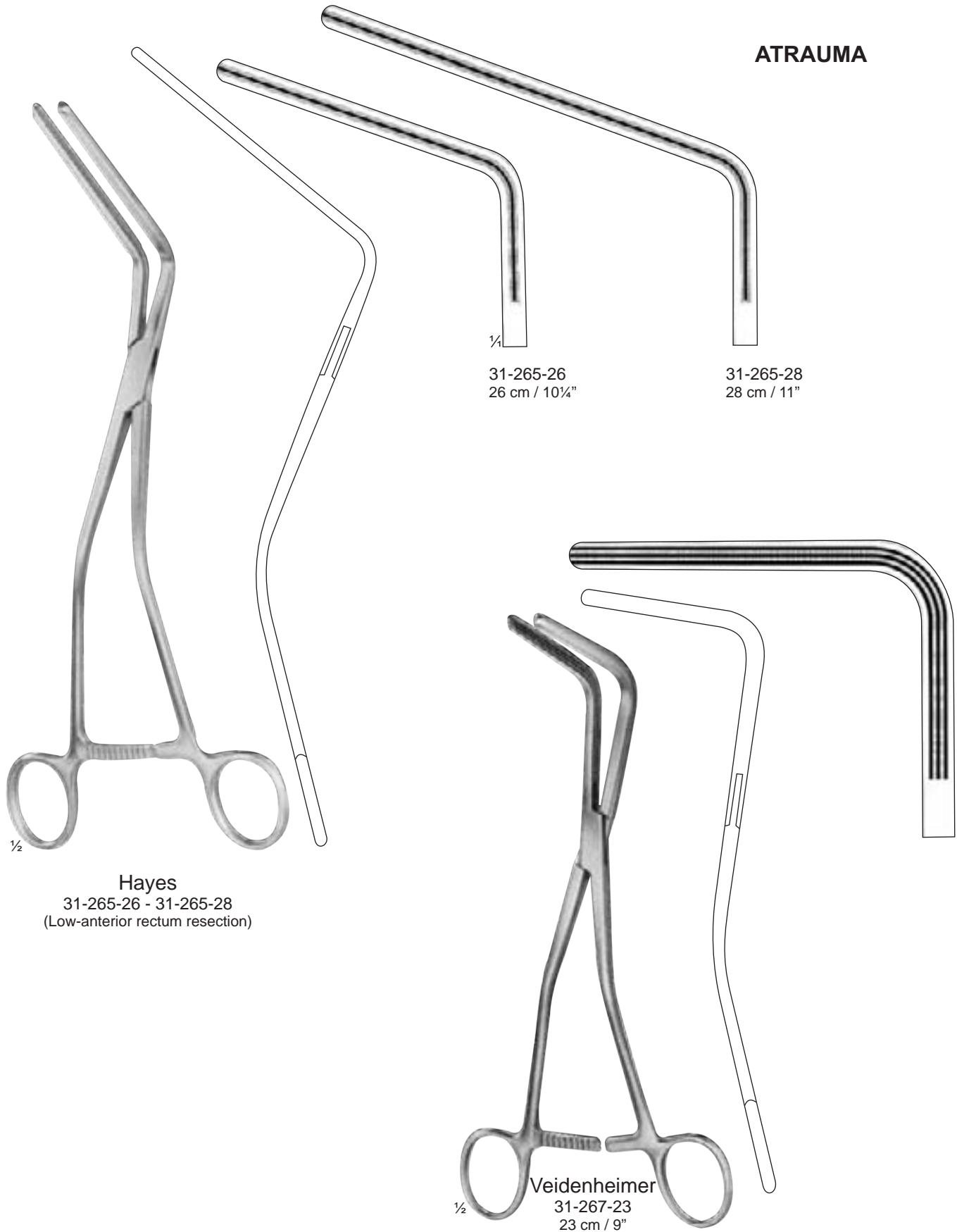
Brunner-Atrauma



Sigmoid Anastomosis Forceps

Rektum-Anastomosenklemmen
Pinzas para anastomosis rectales

Pinces pour anastomoses rectales
Pinze per anastomosi rettali



ATRAUMA

31-265-26
26 cm / 10¼"

31-265-28
28 cm / 11"

½

Hayes
31-265-26 - 31-265-28
(Low-anterior rectum resection)

½

Veidenheimer
31-267-23
23 cm / 9"



Sigmoid Anastomosis Forceps

Rektum-Anastomosenklemmen
Pinzas para anastomosis rectales

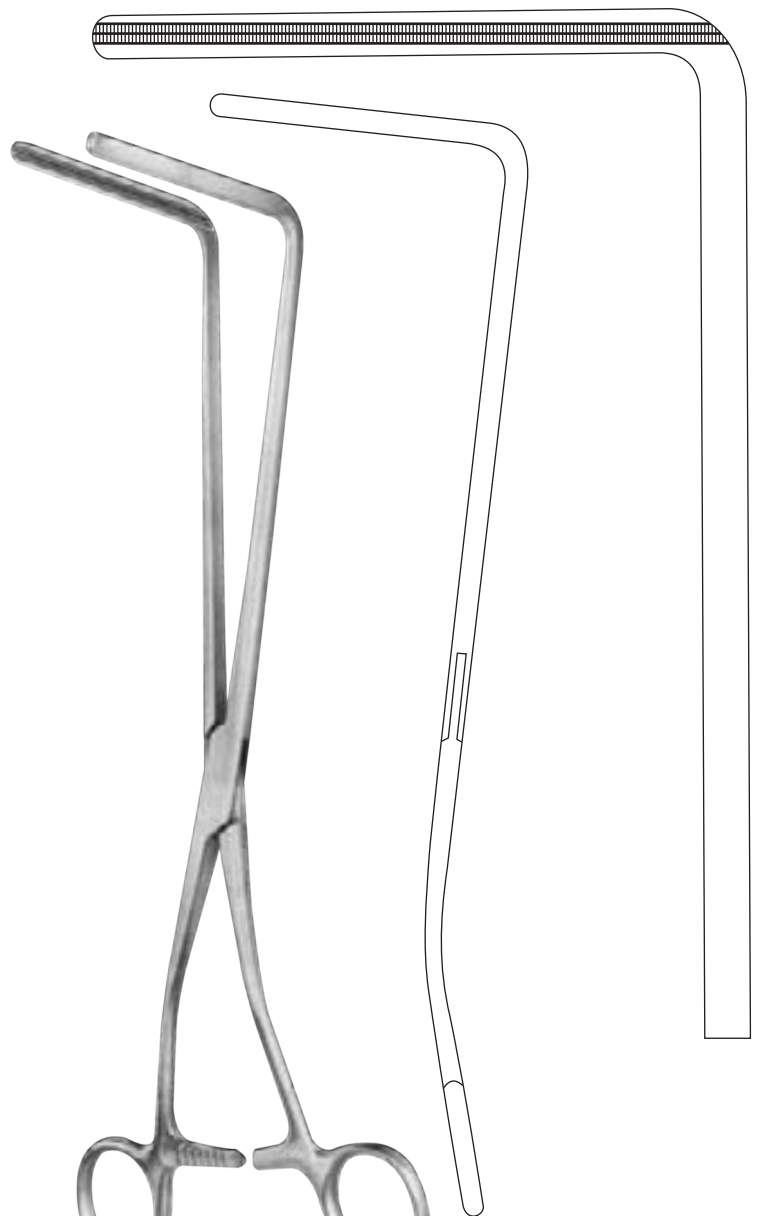
Pinces pour anastomoses rectales
Pinze per anastomosi rettali

ATRAUMA



1/2

Fehland
31-271-24
24 cm / 9 1/2"



1/2

Resano
31-273-30
30 cm / 12"

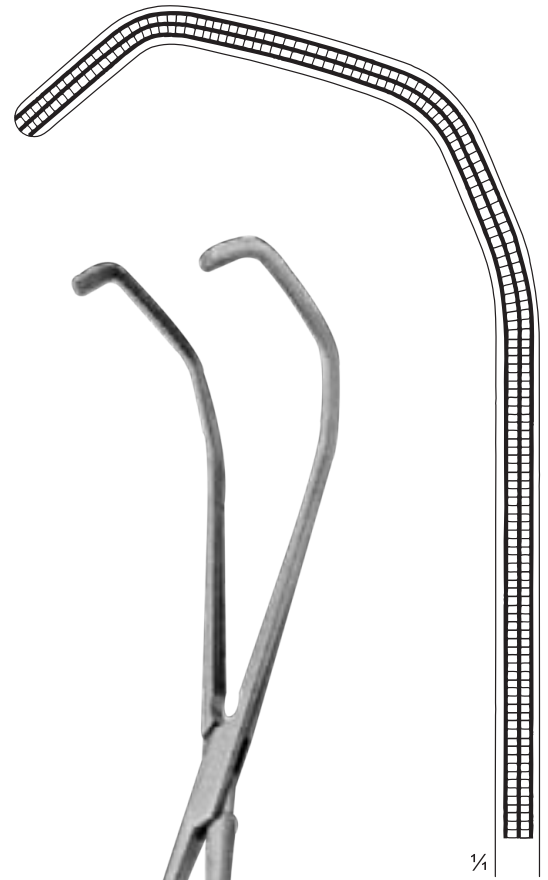


Sigmoid Anastomosis Forceps

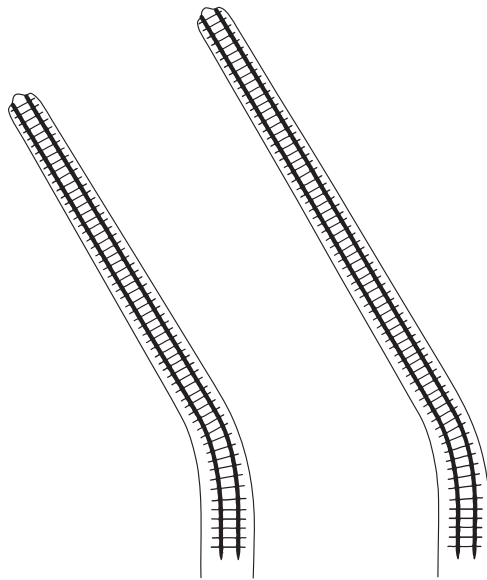
Rektum-Anastomosenklemmen
Pinzas para anastomosis rectales

Pinces pour anastomoses rectales
Pinze per anastomosi rettali

ATRAUMA

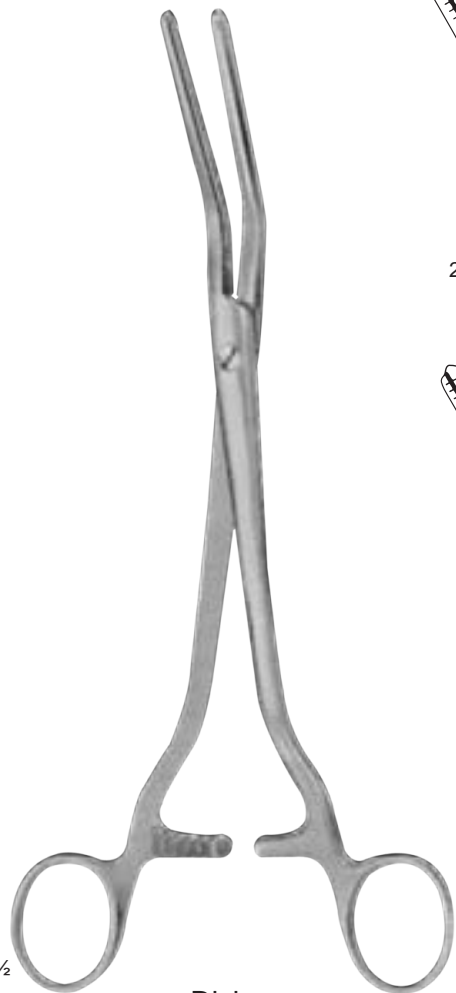


1/4



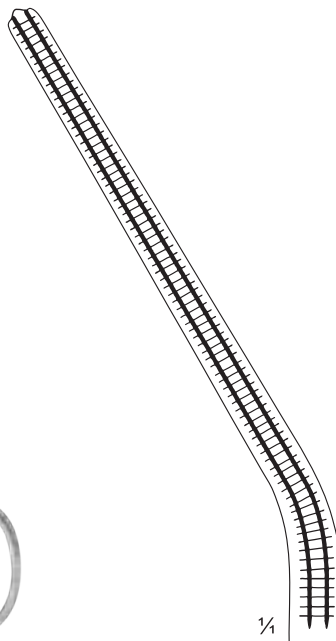
31-279-01
25.5 cm / 10"

31-279-02
26.5 cm / 10 1/2"



1/2

Dick
31-279-01 - 31-279-03



1/4

31-279-03
27.5 cm / 10 3/4"



1/2

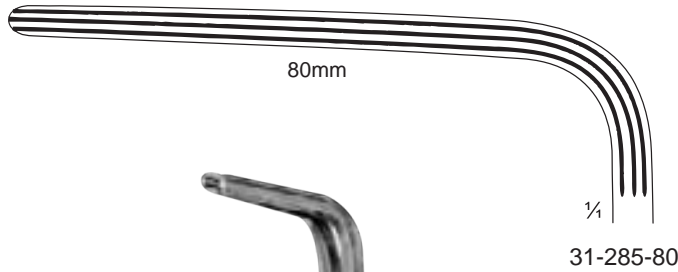
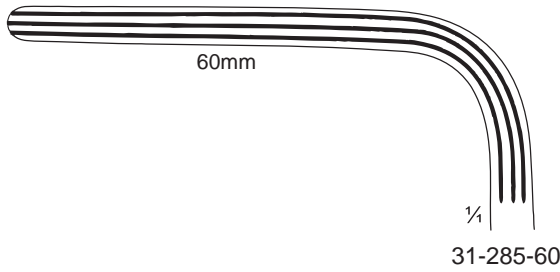
Kersting
31-281-30
30 cm / 12"



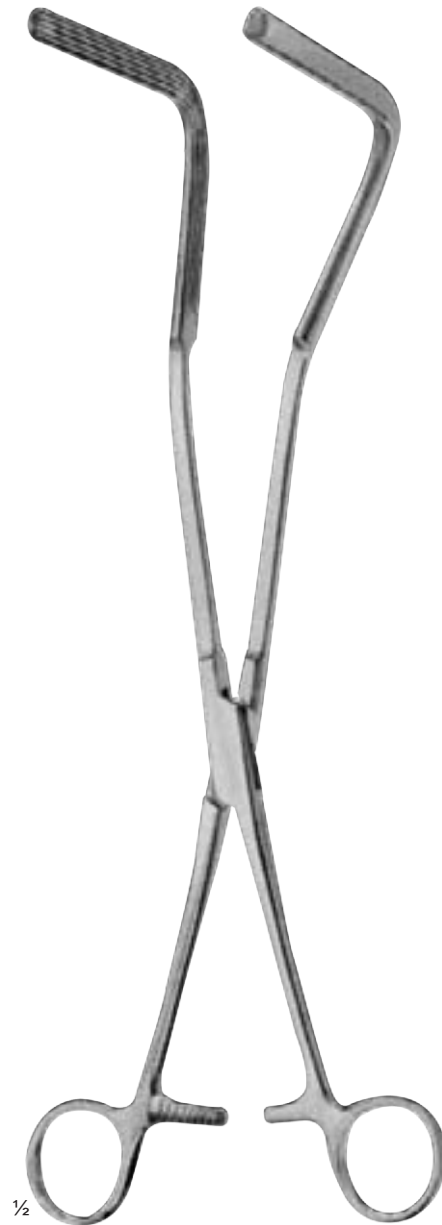
Sigmoid Anastomosis Forceps

Rektum-Anastomosenklemmen
Pinzas para anastomosis rectales

Pinces pour anastomoses rectales
Pinze per anastomosi rettali



31-285-60 - 31-285-80
23 cm / 9"



Lloyd-Davis
31-287-32
31.5 cm / 12½"

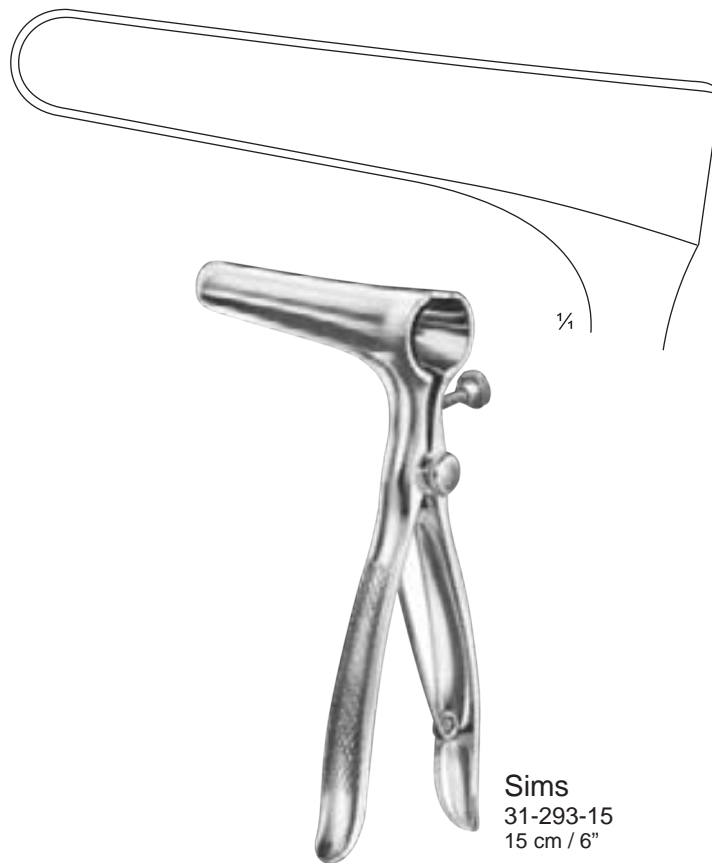
**Rectal Specula**

Mastdarmspekula
Espéculos rectales

Spéculums rectaux
Specoli rettali


 $\frac{1}{2}$

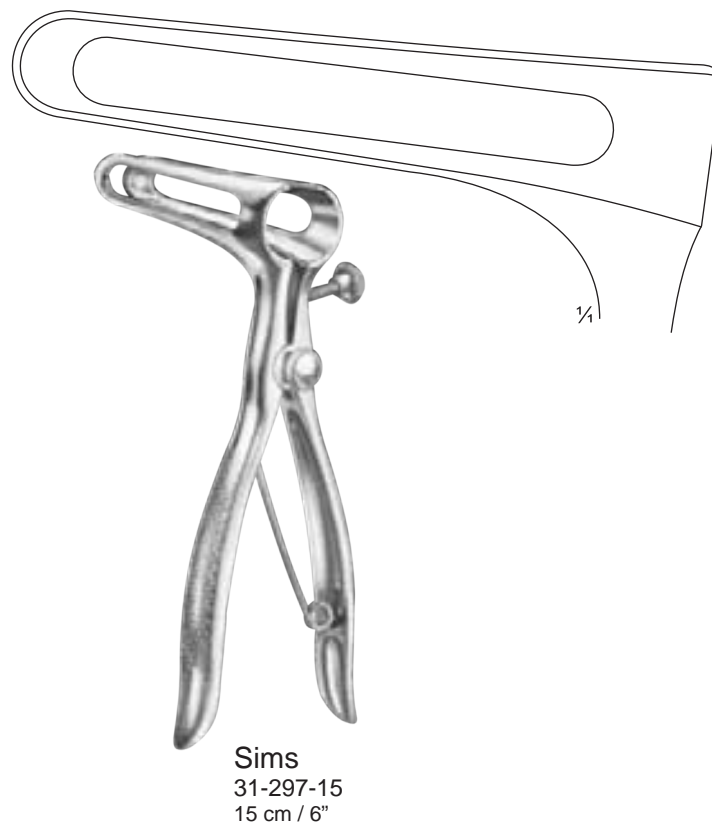
Czerny
31-291-21
22 cm / 8 $\frac{3}{4}$ "


 $\frac{1}{4}$

Sims
31-293-15
15 cm / 6"



Pratt
31-295-20
20.5 cm / 8"


 $\frac{1}{4}$

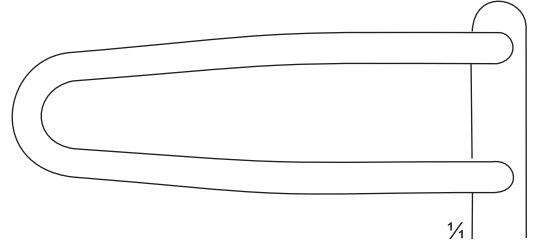
Sims
31-297-15
15 cm / 6"



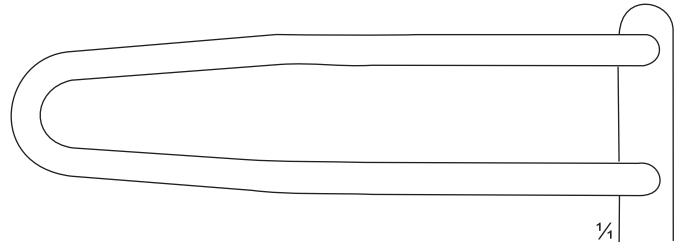
Rectal Specula

Mastdarmspekula
Espéculos rectales

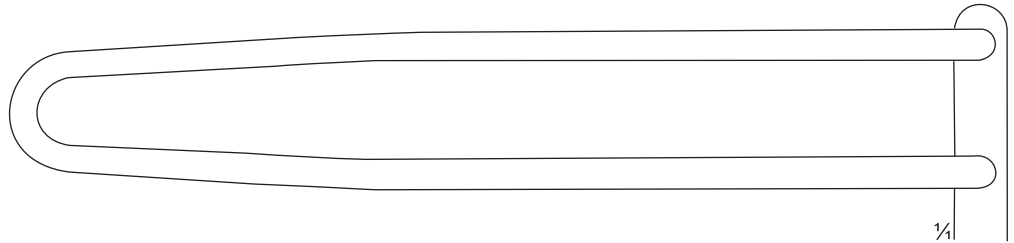
Spéculums rectaux
Specoli rettali



31-301-06
Length of Blades 60 mm



31-301-08
Length of Blades 80 mm



31-301-12
Length of Blades 125 mm



Schulze-Bergmann
31-301-06 - 31-301-12
22 cm / 8½"



Rectal Specula

Mastdarmspekula
Especulos rectales

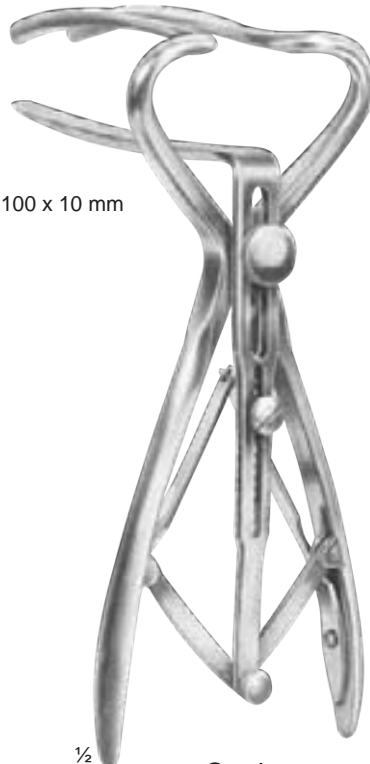
Spéculums rectaux
Specoli rettali



90 x 15 mm

1/2

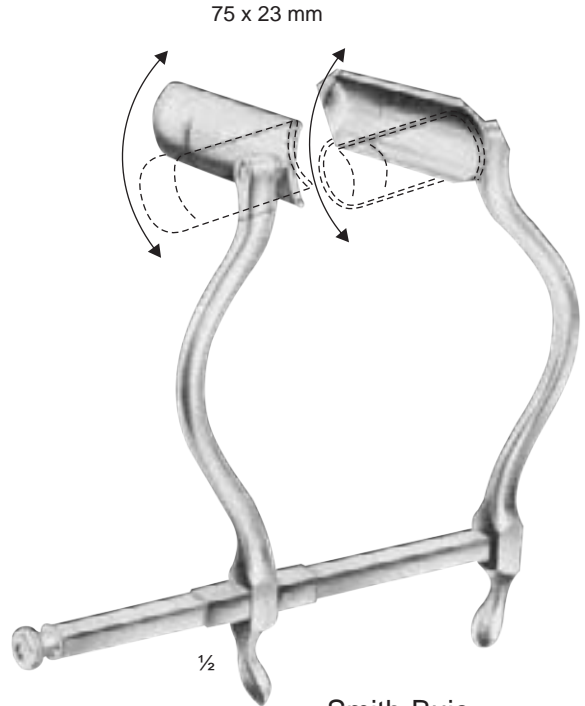
Mathieu
31-305-19
19.5 cm / 7 3/4"



100 x 10 mm

1/2

Cook
31-307-19
19 cm / 7 1/2"



75 x 23 mm

1/2

Smith-Buie
31-309-15
15 cm / 6"



70 x 22 mm

1/2

Barr
31-311-17
17 cm / 6 3/4"

Centre Blade
31-313-25
25 x 95 mm

1/2

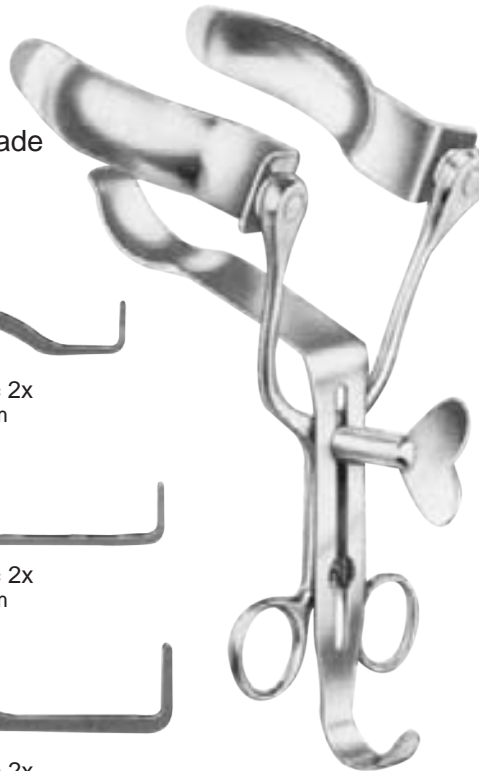
31-313-70 = 2x
22 x 70 mm

1/2

31-313-92 = 2x
22 x 92 mm

1/2

31-313-93 = 2x
22 x 93 mm
complete with 2 pair of blades



Alan Parks
31-313-00
14 cm / 5 1/2"



Spreader only
31-313-10

- 31-313-00
Consisting of
- 31-313-10 Spreader only
 - 31-313-25 Center blade only
 - 31-313-70 Pair of blades only
 - 31-313-92 Pair of blades only
 - 31-313-93 Pair of blades only



Sphincteroscopes, Anoscopes, Proctoscopes

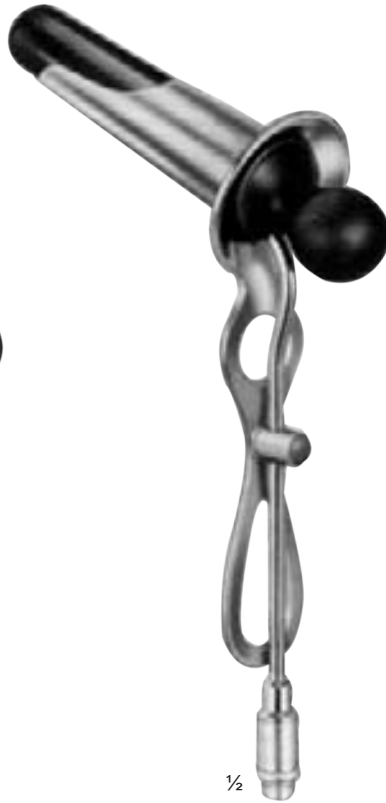
Sphinkteroskope, Anuskope, Proktoskope
Esfinteroscopios, Anoscopios, Proctoscopios

Sphinctéscopes, Anoscopes, Proctoscopes
Sfinteroscopi, Anoscopi, Protoscopi



½

Ives-Fansler
31-321-15
22 mm ø



½

Ives-Fansler
31-323-65
22 mm ø



½

Hirschmann
31-325-01 = 16 mm ø x 65 mm
31-325-02 = 19 mm ø x 65 mm
31-325-03 = 22 mm ø x 65 mm
31-325-04 = 22 mm ø x 125 mm



½

Newman
31-327-01 = 16 mm ø x 63 mm
31-327-02 = 19 mm ø x 63 mm
31-327-03 = 23 mm ø x 63 mm



½

Kelly
31-329-01 = 21 mm ø x 50 mm
31-329-02 = 27 mm ø x 50 mm



Kelly

31-331-01 = 22 mm ø x 050 mm
31-331-02 = 22 mm ø x 100 mm
31-331-03 = 22 mm ø x 140 mm
31-331-04 = 22mm ø x 200 mm



Sphincteroscopes, Anoscopes, Proctoscopes

Sphinkteroskope, Anuskope, Proktoskope
Esfinteroscopios, Anoscopios, Proctoscopios

Sphinctéscopes, Anuscopes, Proctoscopes
Sfinteroscopi, Anoscopi, Protoscopi



½

Roschke
31-336-01
ø 15/30 x 70 mm



½

Bensaude
31-339-19 = 19mm ø x 70 mm
31-339-22 = 22mm ø x 70 mm



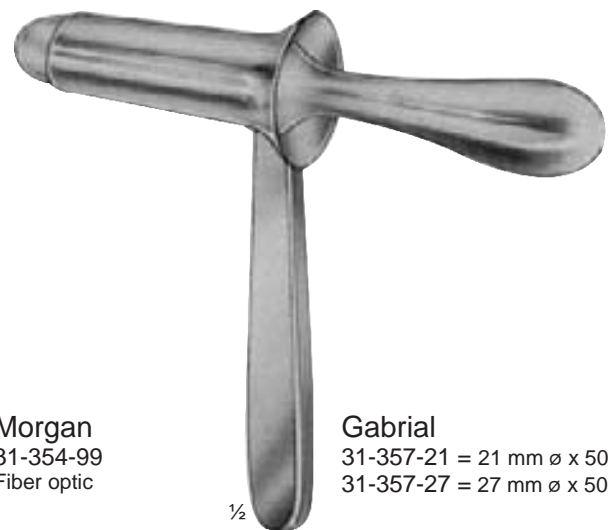
½

Naunton Morgan
with conventional light
31-344-17 small ø 17 mm
31-344-21 medium ø 21 mm
31-344-24 large ø 24 mm
with fiber optic light
31-346-17 small ø 17 mm
31-346-21 medium ø 21 mm
31-346-24 large ø 24 mm
without light
31-348-17 small ø 17 mm
31-348-21 medium ø 21 mm
31-348-24 large ø 24 mm



½

Morgan
31-354-99
Fiber optic



½

Gabrial
31-357-21 = 21 mm ø x 50 mm
31-357-27 = 27 mm ø x 50 mm

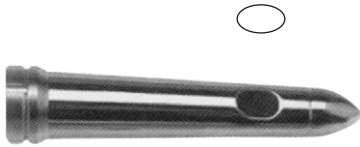


Anoscopes, Proctoscopes

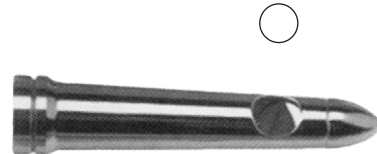
Anuskope, Proktoskope
Anoscopios, Proctoscopios

Anoscopes, Proctoscopes
Anoscopi, Proctoscopi

BLOND



31-360-01
18/24 mm \varnothing x 75 mm



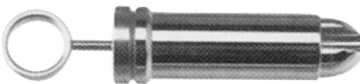
31-360-03
18/24 \varnothing x 75 mm



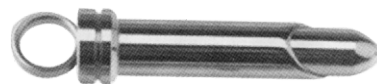
31-360-02
15/23 \varnothing x 75 mm



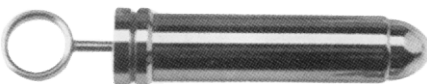
31-360-04
18/25 \varnothing x 105 mm



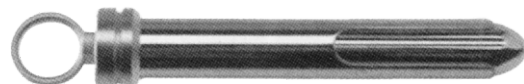
31-362-01
26 mm \varnothing x 60 mm



31-362-03
21 mm \varnothing x 80 mm



31-362-02
24 mm \varnothing x 80 mm

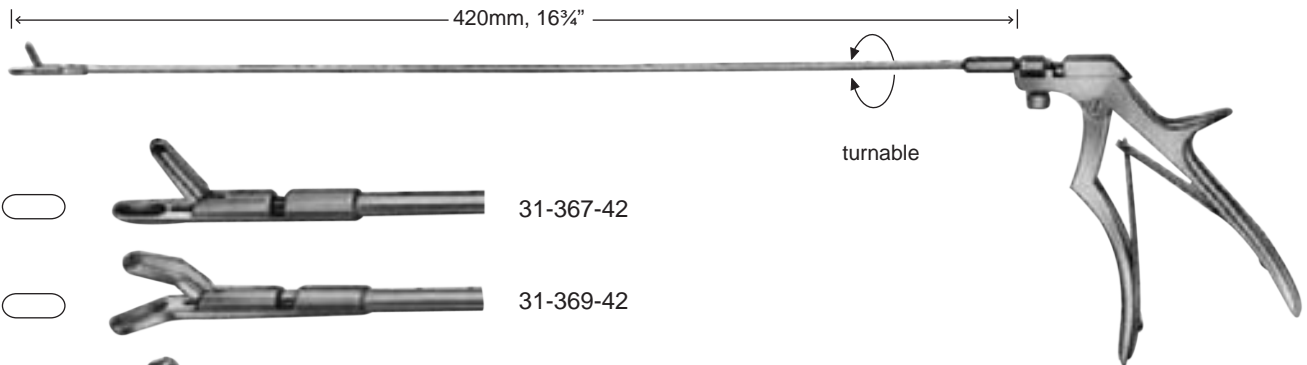






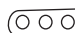





31-362-04
21 mm \varnothing x 120 mm

Rectal Biopsy Forceps

Rektum-Biopsiefasszangen
Pinzas para biopsia rectal


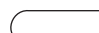










Pinces pour biopsie rectale
Pinze per biopsia rettale



-   31-367-42
-   31-369-42
-   31-371-42
-   31-373-42
-   31-375-42

31-367-00
Handle only

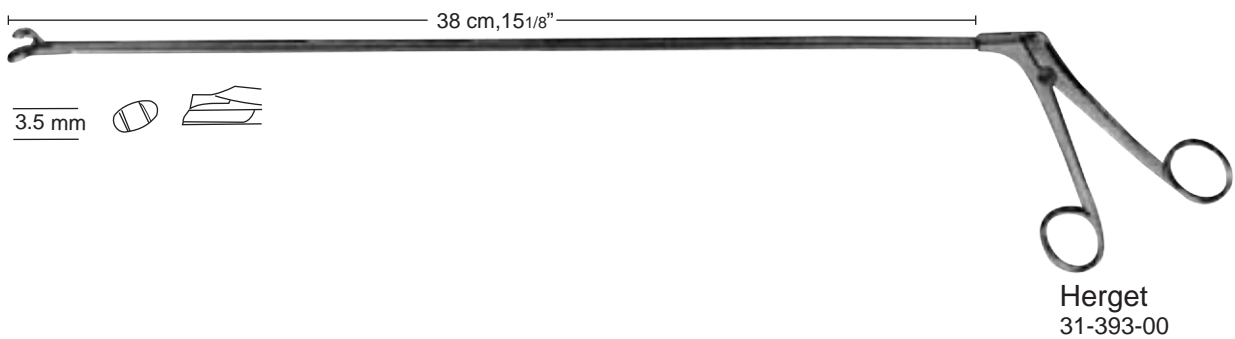
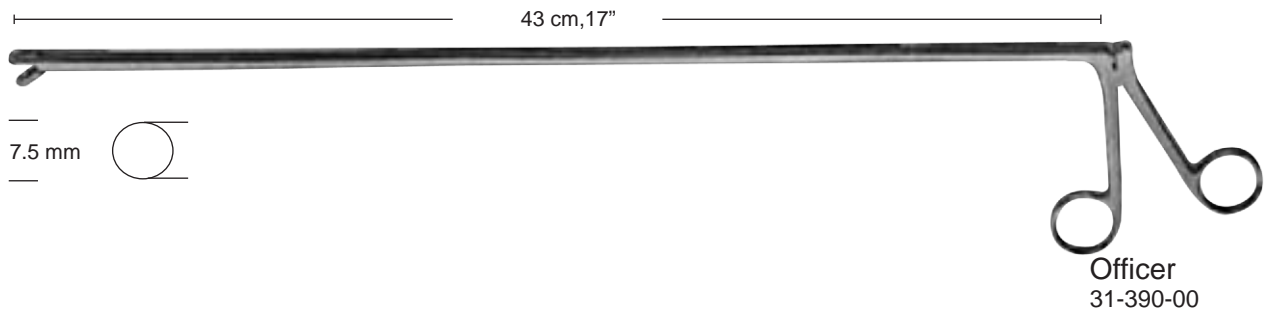
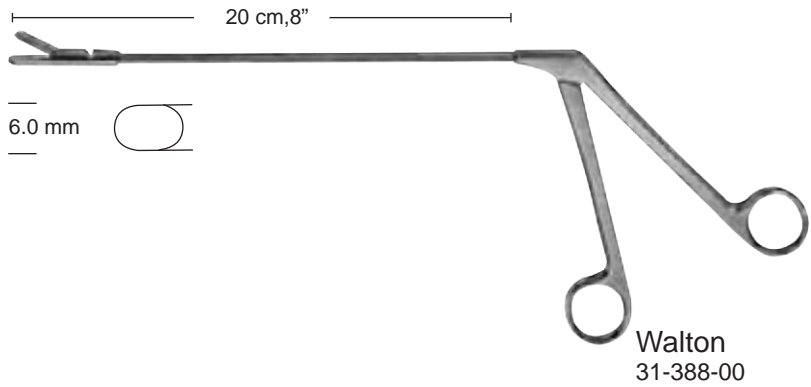
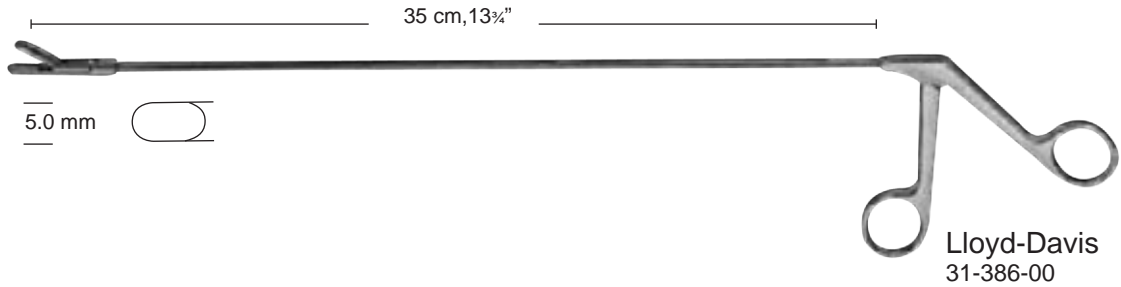
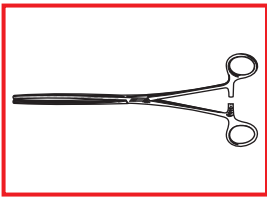


- | | | | |
|---|---|--|---|
|  |  |  |  |
|  |  |  |  |
|  |  |  |  |
| 31-377-28 = 28 cm / 11" | 31-378-28 = 28 cm / 11" | 31-379-28 = 28 cm / 11" | 31-380-28 = 28 cm / 11" |
| 31-377-35 = 35 cm / 13 3/4" | 31-378-35 = 35 cm / 13 3/4" | 31-379-35 = 35 cm / 13 3/4" | 31-380-35 = 35 cm / 13 3/4" |
| 31-377-42 = 42 cm / 16 1/2" | 31-378-42 = 42 cm / 16 1/2" | 31-379-42 = 42 cm / 16 1/2" | 31-380-42 = 42 cm / 16 1/2" |

Rectal Biopsy Forceps

Rektum-Biopsiefasszangen
Pinzas para biopsia rectal

Pinces pour biopsie rectale
Pinze per biopsia rettale

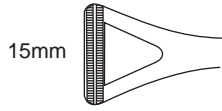




Rectal Biopsy Forceps, Polypus Grasping Forceps

Rektum-Biopsiefasszangen, Polypenfasszange
 Pinzas para biopsia rectal, Pinza para coger pólipos

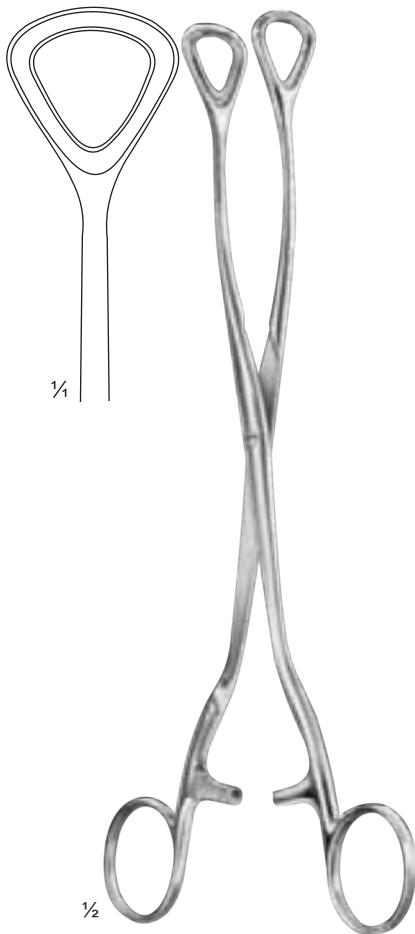
Pinces pour biopsie rectale, Pince pour saisir polypes
 Pinze per biopsia rettale, Pinza per afferrare polipi



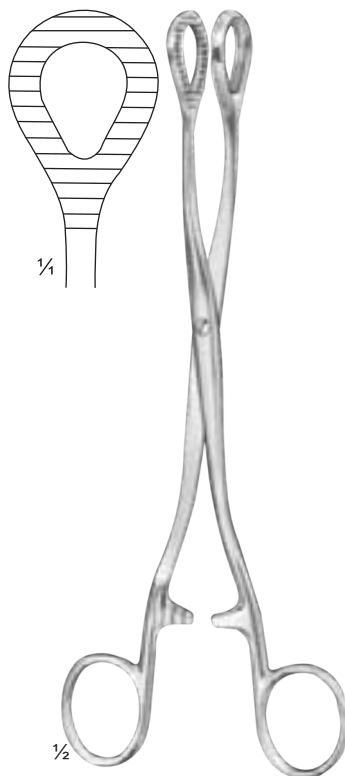
380mm, 15"



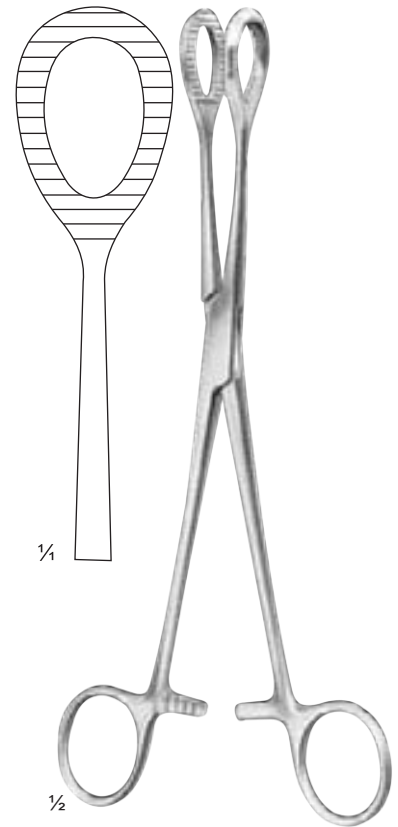
31-399-38
 38 cm / 15"



Luer
 31-402-24
 24.5 cm / 9¾"



Heywood-Smith
 31-404-20
 20 cm / 8"



Heywood-Smith
 31-406-21
 21 cm / 8¼"

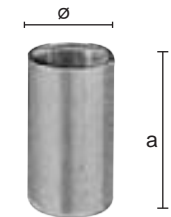
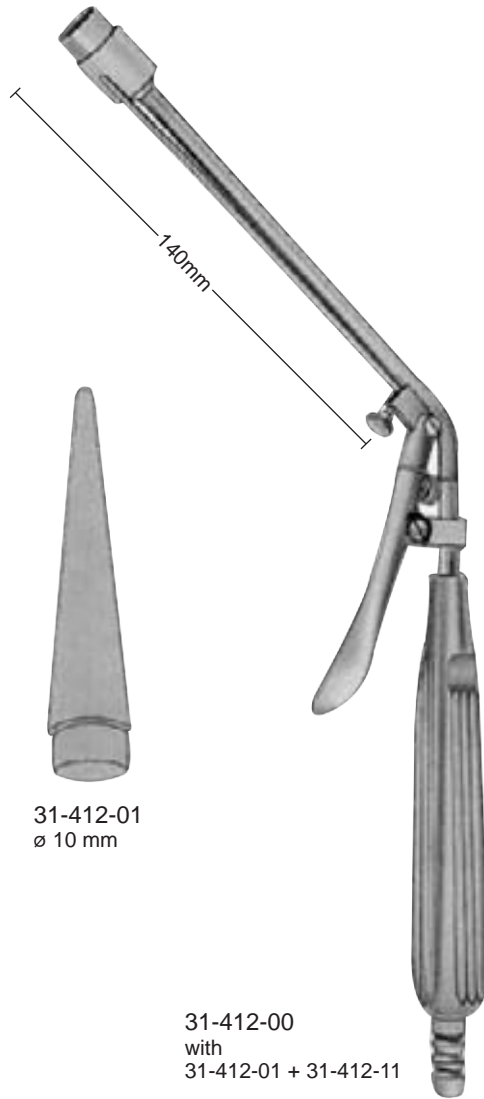


Hemorrhoidal Ligator, Hemorrhoidal Grasping Forceps

Hämorrhoidal-Ligator, Hämorrhoidenfasszange
 Ligador para hemorroides, Pinza para hemorroides

Ligateur pour hémorroïdes, Pince pour hémorroïdes
 Legatore emorroidale, Pinze per emorroidi

31-411-00
 O-rings, 100pcs



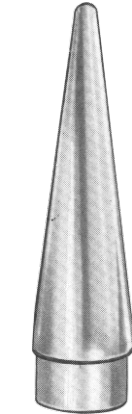
31-412-11
 ∅ 10 mm
 a = 11 mm



31-412-16
 ∅ 10 mm
 a = 16 mm



31-412-01
 ∅ 10 mm



31-415-92
 12 mm∅



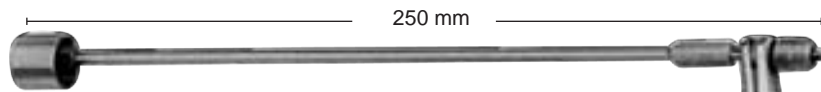
1/4

31-412-00
 with
 31-412-01 + 31-412-11



St. Mark/Rudd
 31-415-00
 31.5 cm / 12 1/2"

1/2



250 mm

complete



MC Giveny
 31-417-19
 19 mm 7 1/2"



31-418-21
 ∅ 12 mm



31-418-00

